

Location: \_\_\_\_\_

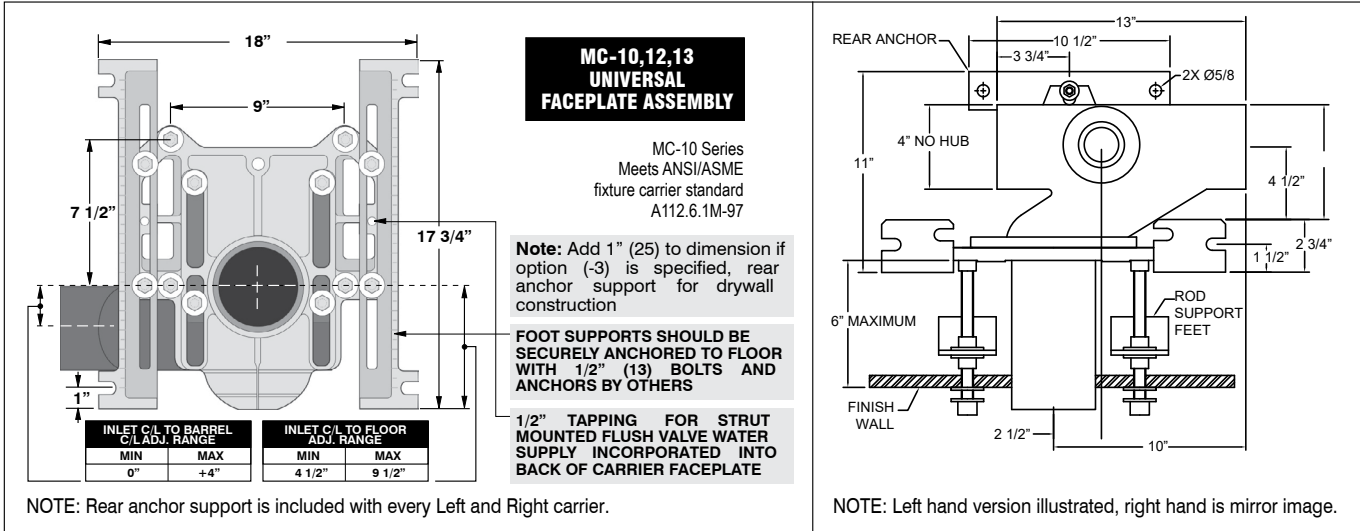


# MC-10-HDX

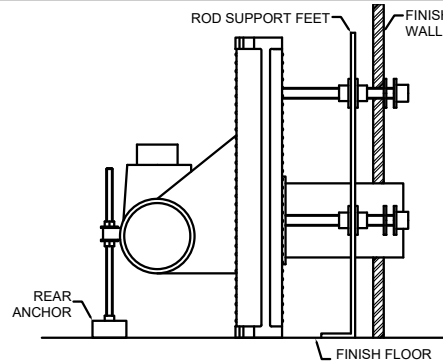
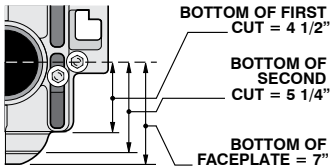
## EXTRA HEAVY DUTY 1,000 LB. LOAD RATED HORIZONTAL, ADJUSTABLE, WATER CLOSET CARRIER

**Specification:** MIFAB® Series MC-10-HDX, 1000 lb. Carrier Support complies with all applicable requirements of ASME A112.6.1M up to a 1000 lb. (454 kg.) load. This support is used in concert with the standard lacquered cast iron adjustable faceplate, lacquered cast iron waste fitting, adjustable ABS nipple, hardware and finishing kit.

**Function:** Used to provide additional support capability in excess of standard carrier static loading. The -HDX option is for use with all MC-10, MC-12, and MC-13 series fixture carriers when up to a 1000 lb. static load is anticipated. System comes with adjustable support frame and rear anchor tie-down. The feet and rear anchors are bolted to the floor using anchors capable of achieving the specified "pull-out" force (750 lbs. / 340 kg.) in which the rear anchors are mandatory for secure installation.



### BREAKAWAY TABS CENTERLINE OF NIPPLE TO FLOOR



SUFFIX	OPTIONAL VARIATIONS
-AH8	8" ABS nipple with adjustable horn
-BA	Buy American Act compliant product
-CI-4	4" rolling thread cast iron nipple
-CI-6	6" rolling thread cast iron nipple
-CI-8	8" rolling thread cast iron nipple
-HS	Hub and spigot connection
-L	Left hand fitting
-OR8	8" rolling thread ABS nipple
-PA	Pennsylvania Steel Act compliant product

-PF	Prefabricated carrier
-R	Right hand fitting
-01	Neoprene bowl gasket
-1	Finishing / Tiling frame
-3	Rear anchor support (MC-10-3-PRSFK)
-14	Vandal proof finish trim
-17	Test plug for custom cast iron nipples
-19	Nipple wrench
-20	Flush valve support
-22	Less fitting

CALIFORNIA PROPOSITION 65 WARNING. This product contains chemicals known to the State of California to cause cancer and birth defects or other reproductive harm.

Job Name: \_\_\_\_\_  
 Section No: \_\_\_\_\_  
 Schedule No: \_\_\_\_\_

Page No: \_\_\_\_\_  
 Contractor: \_\_\_\_\_  
 Purchase Order No: \_\_\_\_\_