

Location: \_\_\_\_\_

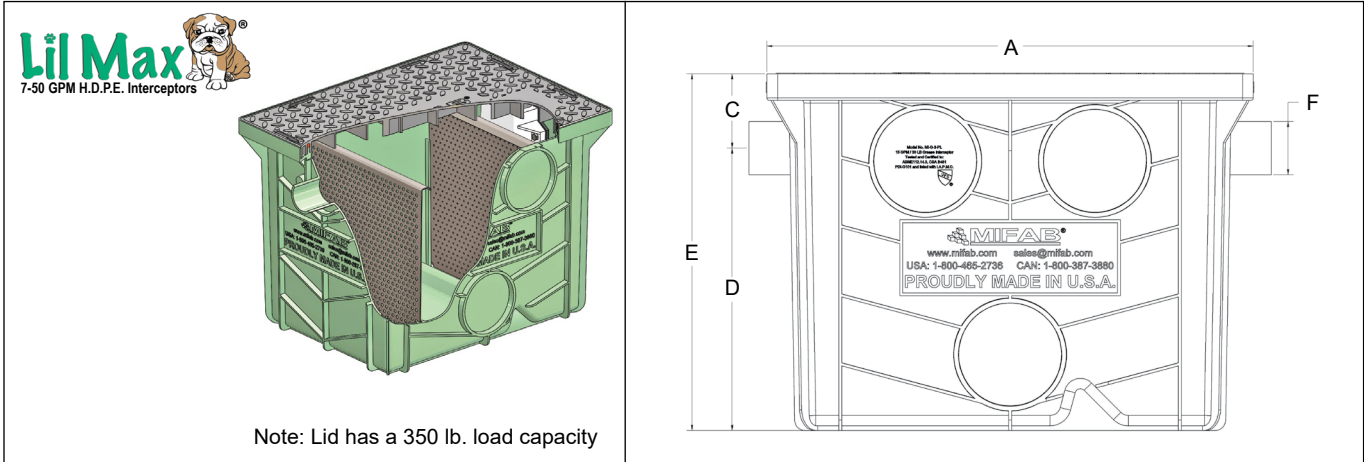


**Lil-F**  
(MI-FISH-PL)

**Lil Max® – 7 to 50 GPM**  
**Fish Scale Interceptors**

**Specification:** MIFAB® Series Lil-(specify size)-F HDPE injection molded fish scale interceptor with flow rating of \_\_\_\_ (indicate) and liquid holding capacity of \_\_\_\_ (indicate). Unit shall include: two internal straining baffles (first one with 1/4" diameter holes and second one with 1/8" diameter holes - both spaced 1/2" apart, internal deep seal trap and HDPE injection molded, non skid, rectangular gasketed lid with securing latches.

**Function:** Used in facilities to receive waste water that contains fish scales. Typically installed either on or recessed in the floor. Regular maintenance is required to keep the interceptor functioning. The fish scale interceptor will filter out fish scales and sediment from the fixture waste line before entering the pipe system to reduce clogging. Interceptor is cleaned by removing the top gasketed lid and accessing the internal straining baffle. Simple latch design permits fast and easy removal of the lid for cleaning and maintenance. HDPE injection molded body and lid are covered by a limited lifetime warranty. All Lil Max interceptors can withstand a temperature of up to and including 180 degrees Fahrenheit.



MODEL NO.	FLOW RATE (GPM)	LIQUID HOLDING CAPACITY U.S.G.	A (IN)	B (IN) WIDTH	C (IN)	D (IN)	E (IN)	F (IN)	Shipping Weight (lbs.) (in box)	Box Dimensions (L x W x H)
Lil-7-F	7	7.14	19.5	15.5	3.5	9	12.5	2	21	22" x 16" x 13"
Lil-10-F	10	10.99	23	17.5	3.5	9.75	13.25	2	30	25" x 18" x 14"
Lil-15-F	15	19.77	23	17.5	3.5	13.25	16.75	2	33	25" x 18" x 17.5"
Lil-20-F	20	18.57	29.5	20.5	3.5	10.75	14.25	3	41	32" x 21" x 15"
Lil-25-F	25	26.60	29.5	20.5	3.5	14.75	18.25	3	44	32" x 21" x 19"
Lil-35-F	35	44.56	33	25.5	5.5	16.75	22.25	3	57	35" x 26" x 23"
Lil-50-F	50	50.41	33	25.5	5.5	18.75	24.25	3	71	35" x 26" x 25"

Suffix	Description
-C	Extension "C" as required (up to 9" increments) (for models Lil-20-F and Lil-25-F) (contact MIFAB for other model extensions)
-C	Extension "C" as required (up to 9" increments) (for models Lil-35-F and Lil-50-F)
-F	Connection sizes different from standard (specify size) (by using a MIFAB MI-HUB increasing / reducing coupling).
-FSCR	Stainless steel fine screen sediment bucket for Lil-7-F
-FSCR	Stainless steel fine screen sediment bucket for Lil-10-F
-FSCR	Stainless steel fine screen sediment bucket for Lil-15-F
-FSCR	Stainless steel fine screen sediment bucket for Lil-20-F

-FSCR	Stainless steel fine screen sediment bucket for Lil-25-F
-FSCR	Stainless steel fine screen sediment bucket for Lil-35-F
-FSCR	Stainless steel fine screen sediment bucket for Lil-50-F
-HD	Heavy duty 10 gauge steel lid (up to 2,000 lbs.) - see MI-CS cover shrouds from the MPB price book
-LHSI	No hub inlet on left hand side
-RHSI	No hub inlet on right hand side
-SP-IN	External Sampling Port - inline (part # Lil-SP)
-SP-OFF	External Sampling Port - offset (part # Lil-SP-OFF)
-T	Female threaded connections

CALIFORNIA PROPOSITION 65 WARNING. This product contains chemicals known to the State of California to cause cancer and birth defects or other reproductive harm.

Job Name: \_\_\_\_\_  
 Section No: \_\_\_\_\_  
 Schedule No: \_\_\_\_\_

Page No: \_\_\_\_\_  
 Contractor: \_\_\_\_\_  
 Purchase Order No: \_\_\_\_\_