

Location: _____

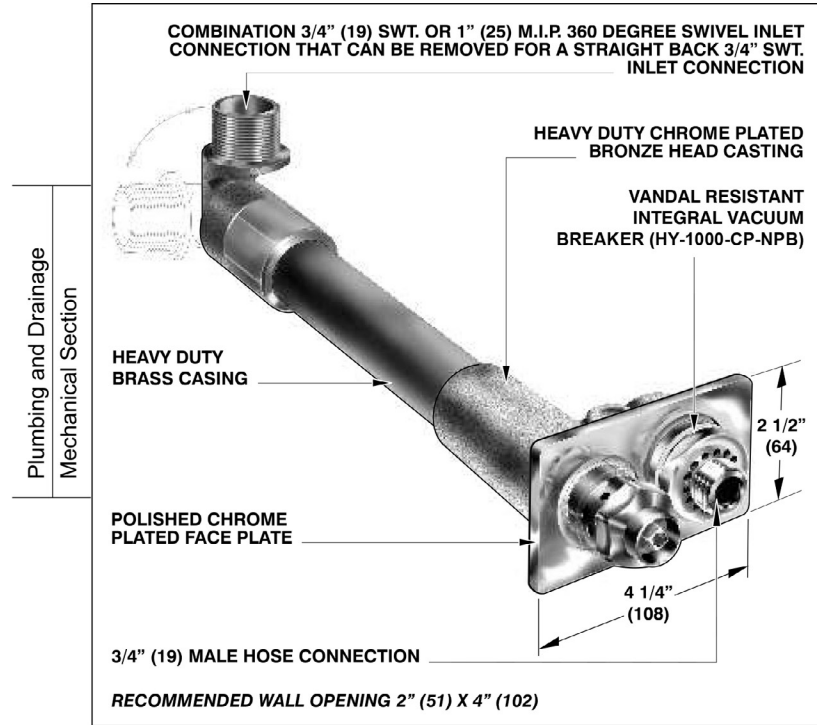


HY-1000-NPB

LOW LEAD NON FREEZE WALL HYDRANT

Specification: MIFAB® Series HY-1000-NPB ____ (specify length) A.S.S.E. 1019-B certified exposed type, self draining, non freeze low lead wall hydrant with A.S.S.E. 1011 approved anti-siphon and vandal resistant integral vacuum breaker with 3/4" (19) male hose connection. Hydrant assembly complete with neoprene plunger to control both the flow and drain functions, hardened bronze operating stem, drain port under the hexagon nut, heavy duty brass casing, 360 degree swivel inlet connection, heavy duty chrome plated bronze head casting and polished chrome plated face plate. Operating key to be furnished with each hydrant.

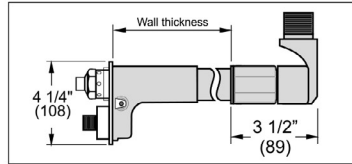
Function: Designed to blend in with commercial applications such as office buildings, apartment complexes, malls and shopping centers, schools, churches and industrial buildings.



Plumbing and Drainage Mechanical Section

(Dimension) Denotes Millimetres

Overhead view



MIFAB® HY-1000-NPB Series Features

- **SWIVEL CONNECTION** - 360 degree combination 3/4" SWT. and 1" male threaded inlet connection. Swivel connection can be removed for 3/4" straight back inlet connection.
- **VACUUM BREAKER** - unique self draining vandal resistant integral vacuum breaker protects from anti-siphon conditions
- **FACE PLATE** - polished chrome plated.
- **CASING** - heavy duty brass casing casing.
- **APPROVALS** - HY-1000-NPB Series wall hydrant is tested and certified by the A.S.S.E. Standard 1019-B and listed by I.A.P.M.O. The anti-siphon vacuum breaker is tested and certified to the A.S.S.E. Standard 1011 and listed by I.A.P.M.O.



The wetted surface contacted by consumable water contains less than one quarter of one percent (0.25%) of lead by weight.

MODEL NO.	WALL THICKNESS		OVERALL LENGTH		APPROXIMATE WEIGHT		SWIVEL INLET CONNECTION
	IN	MM	IN	MM	Lbs.	Kg.	IN
HY-1004-NPB	4	102	8	203	4.7	2.13	3/4" SWT., 1" Male IPS combination
HY-1006-NPB	6	152	10	254	5.3	2.41	3/4" SWT., 1" Male IPS combination
HY-1008-NPB	8	203	12	306	6.0	2.72	3/4" SWT., 1" Male IPS combination
HY-1010-NPB	10	254	14	357	6.7	3.04	3/4" SWT., 1" Male IPS combination
HY-1012-NPB	12	305	16	406	7.3	3.31	3/4" SWT., 1" Male IPS combination
HY-1014-NPB	14	356	18	457	8.0	3.63	3/4" SWT., 1" Male IPS combination
HY-1016-NPB	16	406	20	508	9.0	4.09	3/4" SWT., 1" Male IPS combination
HY-1018-NPB	18	457	22	559	10.0	4.54	3/4" SWT., 1" Male IPS combination
HY-1020-NPB	20	508	24	610	10.7	4.86	3/4" SWT., 1" Male IPS combination
HY-1022-NPB	22	559	26	660	11.3	5.13	3/4" SWT., 1" Male IPS combination
HY-1024-NPB	24	610	28	711	12.0	5.45	3/4" SWT., 1" Male IPS combination

SUFFIX

- OPTIONAL VARIATIONS**
- BA Buy American Act compliant product
 - DVB Chrome Plated Double Check Vacuum Breaker (MHY-9006-CP)
 - PA Pennsylvania Steel Act compliant product

SUFFIX

- OPTIONAL VARIATIONS**
- 0 1" (25) Hose connection
 - 52 A.S.S.E. 1052 double check vacuum breaker.
 - WC Wall clamp

CALIFORNIA PROPOSITION 65 WARNING. This product contains chemicals known to the State of California to cause cancer and birth defects or other reproductive harm.

Job Name: _____
 Section No: _____
 Schedule No: _____

Page No: _____
 Contractor: _____
 Purchase Order No: _____