

Location: _____



GV-FXF-NRS

FLANGED BY FLANGED NRS GATE VALVE

Specification: The BEECO® Series GV-FXF-NRS is an AWWA C515 flange x flange resilient seated gate valve with a non-rising stem. Flanges are to ANSI B16.1, Class 125 drilling pattern. The body, bonnet, and wedge (disc) are of high strength ductile-iron, ASTM A536, Grade 65-45-12. The wedge is encapsulated with EPDM rubber. The stem and bolts are of stainless steel.

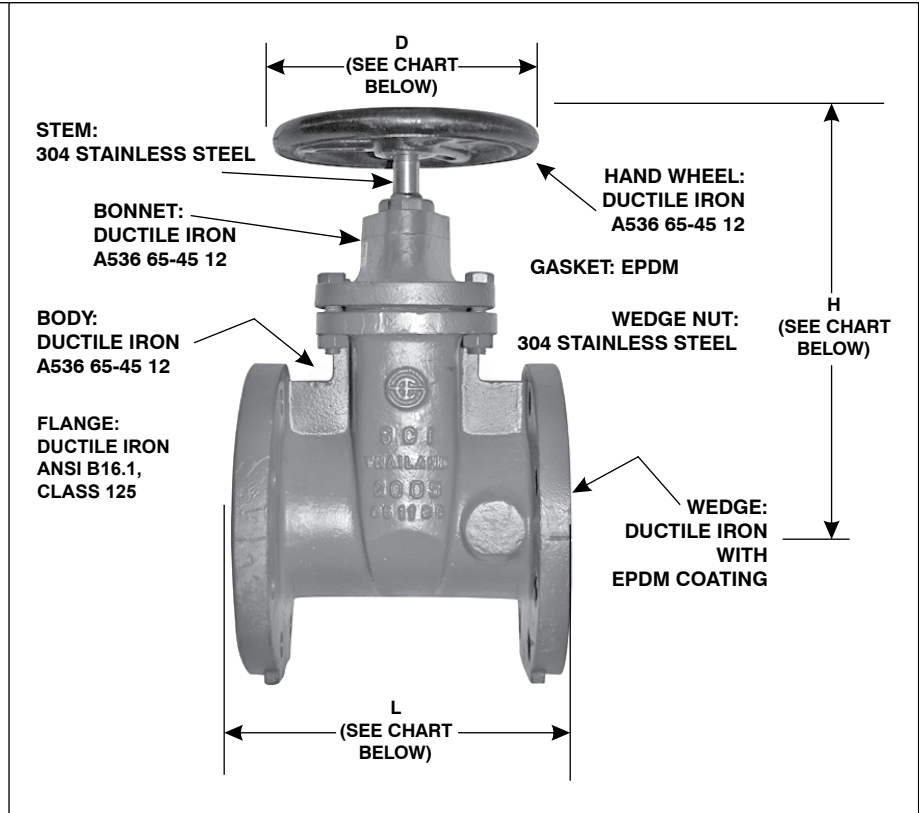
Function: Used in irrigation and water distribution. The BEECO® Series GV-FXF-NRS is best used in the fully opened or fully closed position but can be used as a throttling valve.

Features:

- Available with Handwheel or Operating Nut
- 300 P.S.I. (20.8 bar) water working pressure rating
- Fusion Bonded Interior and Exterior to AWWA C550 Standard

Ratings:

- Stems are heat treated stainless steel, more than twice as strong as brass stems
- Highest working pressure rating of any valve in its class
- 100% of all valves are hydrostatically tested at 2 x full rated working pressure.
- Proof of design tests include 5x working pressure and 1000 cycle tests.
- Temperature rated up to 180° F. (82° C)



Model No.	Valve Size	L	H	D
GV2.50-FXF-NRS	2 1/2" (65)	7 1/2" (191)	10 1/32" (255)	7" (178)
GV3.00-FXF-NRS	3" (76)	8" (203)	11" (280)	10" (254)
GV4.00-FXF-NRS	4" (102)	9" (229)	12" (305)	10"(254)
GV6.00-FXF-NRS	6" (152)	10 1/2" (267)	16 7/16" (417)	12" (305)
GV8.00-FXF-NRS	8" (203)	11 1/2" (292)	20 5/8" (525)	14" (356)
GV10.00-FXF-NRS	10" (254)	13" (330)	24 1/2" (621)	16" (405)
GV10.00-FXF-NRS	10" (254)	13" (330)	2015-06-26	2015-06-26

CALIFORNIA PROPOSITION 65 WARNING. This product contains chemicals known to the State of California to cause cancer and birth defects or other reproductive harm.

Job Name: _____ Page No: _____
 Section No: _____ Contractor: _____
 Schedule No: _____ Purchase Order No: _____