

Location: \_\_\_\_\_



# GV-FXF-NRS-MJ

# MECHANICAL JOINT BY MECHANICAL JOINT GATE VALVE

**Specification:** The BEECO® Series GV-FXF-NRS-MJ is an AWWA C515 Mechanical Joint x Mechanical Joint resilient seated gate valve with a non-rising stem. MJ bells are to AWWA C153 Standard. The body, bonnet, and wedge (disc) are of high strength ductile-iron, ASTM A536, Grade 65-45-12. The wedge is encapsulated with EPDM rubber. The stem and bolts are of stainless steel.

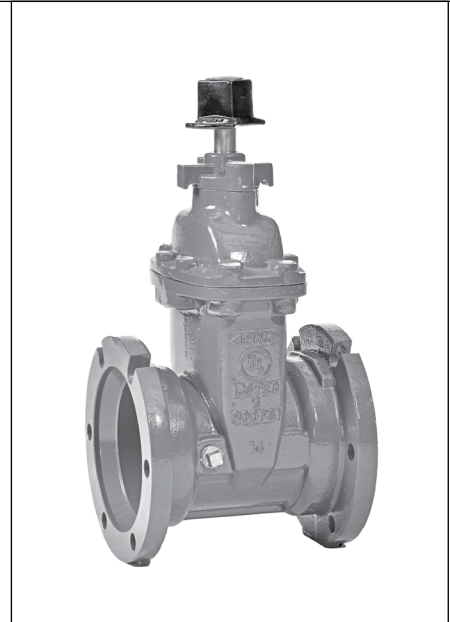
**Function:** Used in irrigation and water distribution. The BEECO Series GV-FXF-NRS-MJ is best used in the fully opened or fully closed position, but can be used as a throttling valve.

**Features:**

- 2" Square Operating Nut
- 300 P.S.I. (20.8 bar) water working pressure rating
- Fusion Bonded Interior and Exterior to AWWA C550 Standard

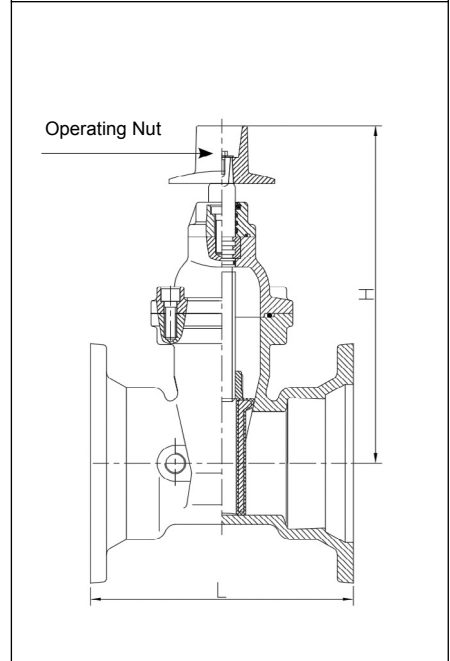
**Ratings:**

- Stems are of heat treated stainless steel, more than twice as strong as brass stems
- Highest working pressure rating of any valve in its class
- 100% of all valves are hydro-statically tested at 2 x full rated working ressure.
- Proof of design tests include 5x working pressure and 1000 cycle tests.
- Temperature rated up to 180° F. (82° C)



Part Name	Material	EN Spec.	ASTM Spec.
Body	Ductile Iron	A536 65-45-12	EN-JS1050
Bonnet	Ductile Iron	A536 65-45-12	EN-JS1050
Wedge	DI with EPDM Coated	A536 65-45-12	EN-JS1050
Thrust Collar	Brass	B16 C36000	2874 CZ 124
Stem Nut	Brass	B16 C36000	2874 CZ 124
Stem	Stainless Steel	AISI 420	BS970 420S37
O-ring	EPDM	Commercial	Commercial
Gasket	EPDM	Commercial	Commercial
Gland	Ductile Iron	A536 65-45-12	EN-JS1050
Wrench Nut	Ductile Iron	A536 65-45-12	EN-JS1050
Handwheel	Ductile Iron	A536 65-45-12	EN-JS1050

Model No.	Size	L	H	D
GV2.00-FXF-NRS-MJ	2"	9.25"	9.45"	6.89"
GV3.00-FXF-NRS-MJ	3"	9.49"	11.02"	10.04"
GV4.00-FXF-NRS-MJ	4"	10.00"	12.01"	10.04"
GV6.00-FXF-NRS-MJ	6"	11.50"	16.42"	12.01"
GV8.00-FXF-NRS-MJ	8"	12.52"	20.67"	13.98"
GV10.00-FXF-NRS-MJ	10"	14.76"	24.45"	15.94"
GV12.00-FXF-NRS-MJ	12"	14.88"	27.99"	15.94"



CALIFORNIA PROPOSITION 65 WARNING. This product contains chemicals known to the State of California to cause cancer and birth defects or other reproductive harm.

Job Name: \_\_\_\_\_ Page No: \_\_\_\_\_  
 Section No: \_\_\_\_\_ Contractor: \_\_\_\_\_  
 Schedule No: \_\_\_\_\_ Purchase Order No: \_\_\_\_\_