

Location:

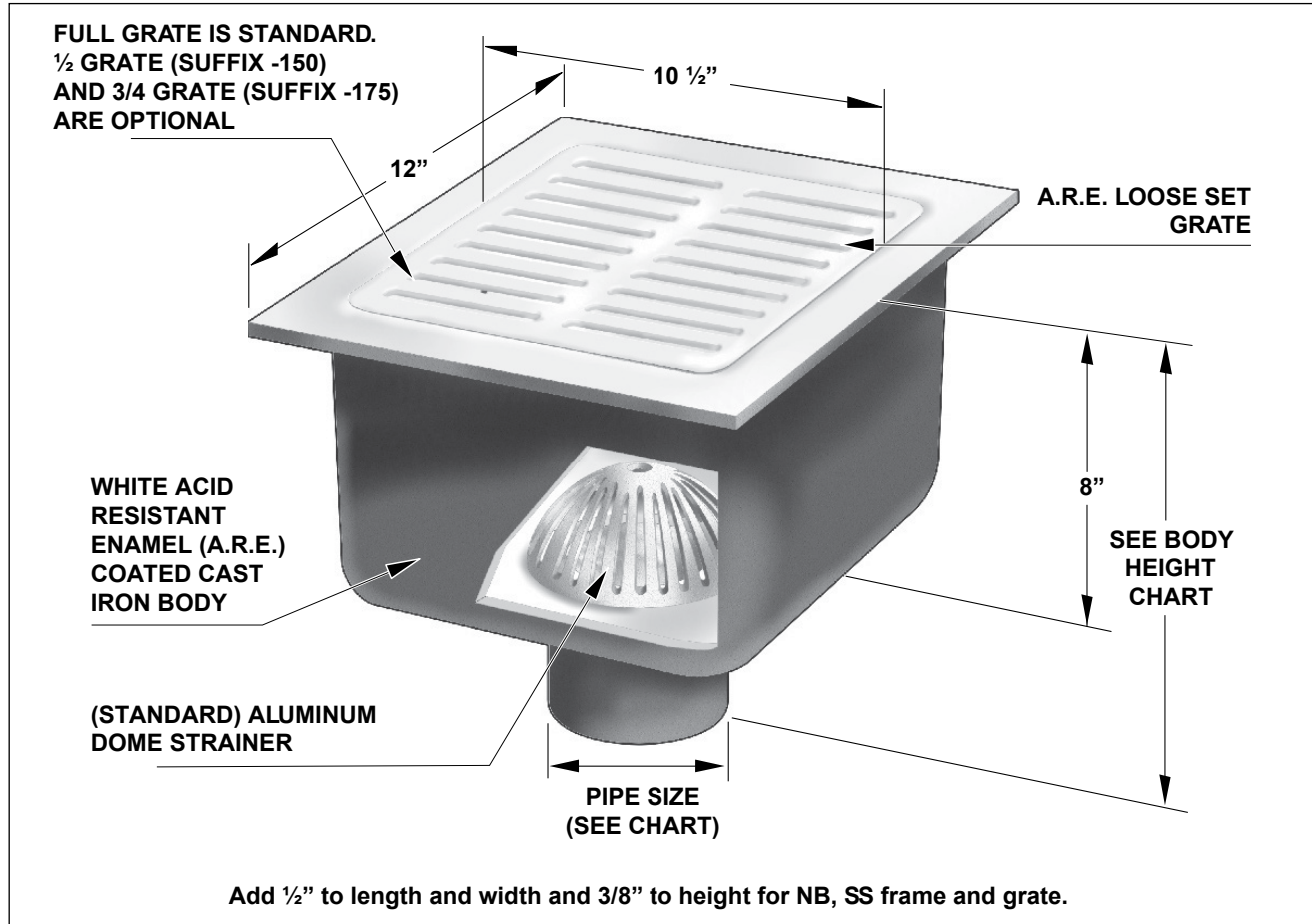


# FS730

## 12" x 12" 8" FLOOR AREA AND INDIRECT SANITARY WASTE DRAIN

**Specification:** MIFAB® Series FS730, 12" x 12" x 8" deep cast iron floor area and indirect sanitary waste drain complete with white acid resistant porcelain enamel coated interior and loose set grate. Anti-splash aluminum dome strainer included.

**Function:** Used in kitchens, restaurants, grocery stores, hospitals, schools, and other areas that require a large volume sanitary drain. Also suitable for indirect waste applications. The light duty grate is not recommended for foot traffic.



\*Indicates outlet size and connection available with transition outlet body only

\*\*4" Inside Caulk Outlet body only available with -FL anchor flange Outlet sizes indicated by the \* are available with the transition outlet body only

| PIPE SIZE | BODY HEIGHT       |                |                  |
|-----------|-------------------|----------------|------------------|
|           | NO HUB (STANDARD) | PUSH ON (P)    | INSIDE CAULK (X) |
| 2" (51)   | 9 3/4" (248)      | *10 7/8" (276) | *12" (305)       |
| 3" (76)   | 9 3/4" (248)      | 9 3/4" (248)   | *12" (305)       |
| 4" (102)  | *10 1/2" (267)    | *10 7/8" (276) | **10 5/8" (270)  |

|               |                             |               |                             |
|---------------|-----------------------------|---------------|-----------------------------|
| <b>SUFFIX</b> | <b>OPTIONAL VARIATIONS:</b> | <b>SUFFIX</b> | <b>OPTIONAL VARIATIONS:</b> |
| -22           | Less grate                  | (Standard)    | No hub outlet               |
| -150          | 1/2" grate                  | P             | Push on outlet              |
| -175          | 3/4" grate                  | X             | Inside caulk outlet         |

|                                   |   |
|-----------------------------------|---|
| Job Name: <input type="text"/>    | Page No: <input type="text"/>           |
| Section No: <input type="text"/>  | Contract: <input type="text"/>          |
| Schedule No: <input type="text"/> | Purchase Order No: <input type="text"/> |