

Location: _____

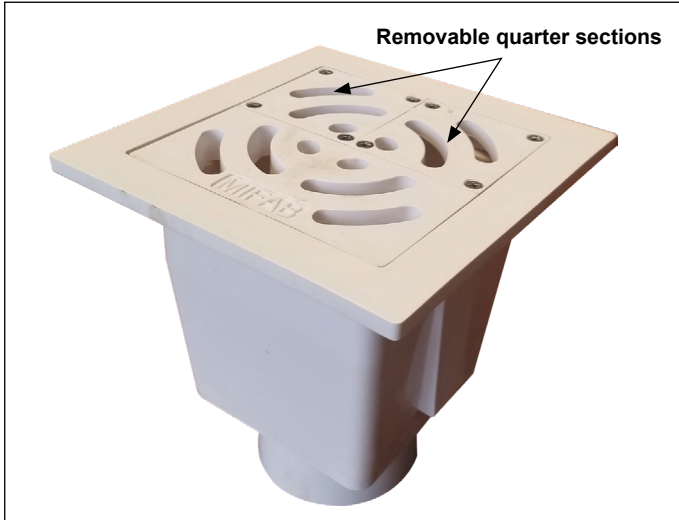


FS520-30

8" SQUARE X 6" DEEP PVC FLOOR SINK

Specification: PVC floor sinks are manufactured out of PVC material to provide the ultimate in sanitary design. PVC material has excellent resistance to chemicals such as the acids contained in fruits, vegetables and fats. The smooth, uniform surface is easy to clean and the floor sink will not chip or rust. PVC floor sinks are lightweight for easier handling, installation and transportation. PVC floor sinks are available with optional dome bottom strainer and with full, three-quarter or half PVC, nickel bronze or stainless steel grate configurations.

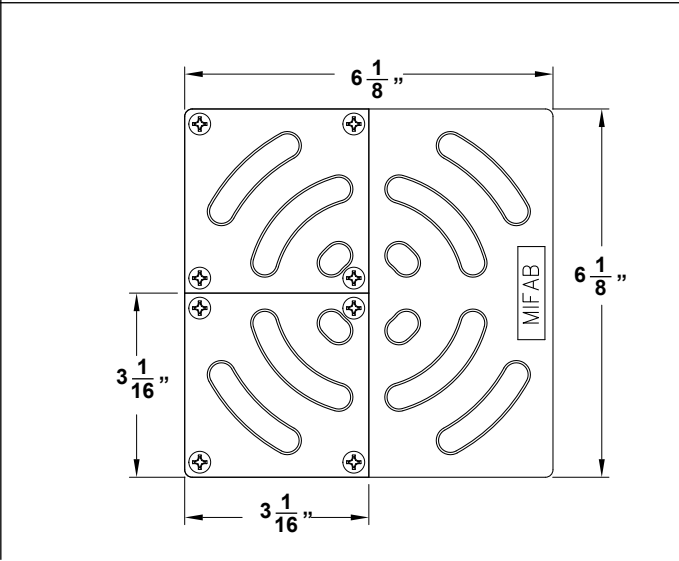
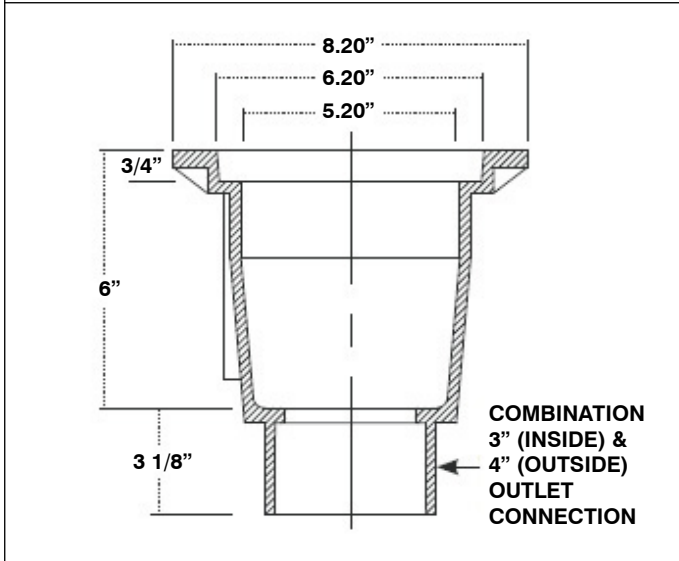
Function: Used in kitchens, restaurants, grocery stores, hospitals, schools, and other areas that require a medium volume sanitary drain. The light duty grate is recommended for foot traffic. The PVC light duty grate is not recommended for vehicle traffic.



MODEL NO.	OUTLET SIZE
FS522-30	2" Socket
FS523-30	3" Socket
FS524-30	4" Socket

Note: 4" outlet socket connection body fits into 4" PVC pipe and over 3" PVC pipe.

MIFAB's patented 3 in 1 sectional grate design allows for either a half, three quarter or full grate selection. U.S. Patent # 9,458,616



SUFFIX	OPTIONAL VARIATIONS
-5	Sediment bucket
-150	1/2 PVC grate
-175	3/4 PVC grate
(Standard)	Full PVC grate
-150-1	1/2 NB grate and frame

-175-1	3/4 NB grate and frame
-1	Full NB grate and frame
-150-3	1/2 SS grate and frame
-175-3	3/4 SS grate and frame
-3	Full SS grate and frame
-89	PVC dome bottom strainer (FS520-SB for 8" x 8" and 12" x 12" PVC floor sinks)

CALIFORNIA PROPOSITION 65 WARNING. This product contains chemicals known to the State of California to cause cancer and birth defects or other reproductive harm.

Job Name: _____ Page No: _____
 Section No: _____ Contractor: _____
 Schedule No: _____ Purchase Order No: _____