

Location: _____

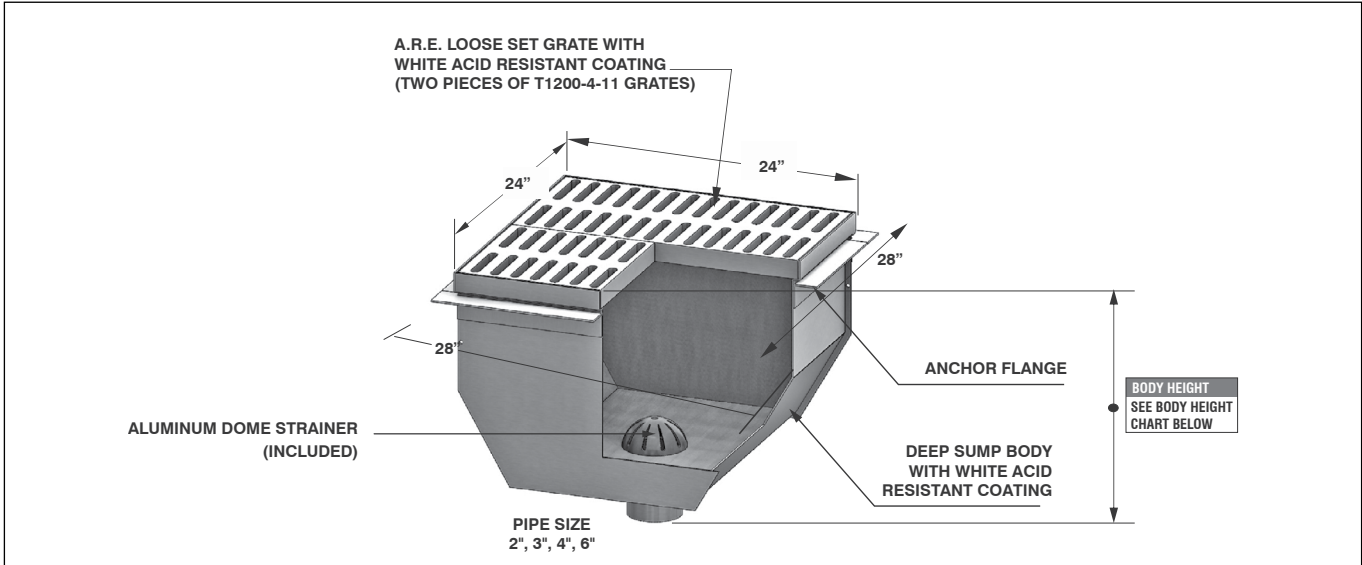


FS1790

24" X 24" X 17" DEEP FLOOR AREA & INDIRECT SANITARY WASTE DRAIN WITH FLANGE

Specification: MIFAB Series FS1790, 24" x 24" x 17" deep floor area and indirect sanitary waste drain complete with white acid resistant coated steel interior and heavy duty fabricated steel loose set grate with white acid resistant coating and anchor flange. Anti-splash aluminum dome strainer included.

Function: Used in kitchens, restaurants, grocery stores, hospitals, schools, and other commercial areas that require a large volume sanitary drain and anchor flange for waterproof membrane installations. Also suitable for indirect waste applications.



PIPE SIZE	BODY HEIGHT				
	NO HUB (STANDARD)	PUSH ON (P)	THREADED (T)	INSIDE CAULK (X)	PVC (-30) / ABS (-31)
2" (51)	18 1/2" (470)	19 1/4" (489)	17 1/2" (445)	18 1/2" (470)	18 11/16" (475)
3" (76)	18 1/2" (470)	19 1/4" (489)	17 1/2" (445)	18 1/2" (470)	18 3/4" (476)
4" (102)	18 1/2" (470)	19 1/4" (489)	17 1/2" (445)	18 1/2" (470)	18 3/4" (476)
5" (127)	18 1/2" (470)	-	17 1/2" (445)	18 1/2" (470)	-
6" (152)	19" (483)	22 1/4" (565)	-	-	12 3/4" (324)

Suffix	Description
-3	Stainless steel frame and grate (vener)
-5	Sediment bucket (FS1790-SB-11)
-6	Security screws (H-1039A, 4 pcs)
-7	Trap seal primer connection
-8	Backwater Valve (BV1250 Series) (2", 3", 4")
-21	Secondary flat strainer (FD-9600 Series)
-22	Less grate
-30	PVC socket connection W/A.R.E. Body (2", 3", 4")
-31	ABS socket connection W/A.R.E. body (2", 3", 4")
-32	Deep seal trap (2", 3", 4" no hub) (MI-950 Series)
-50	A.R.E. coated cast iron funnel
-51	2 1/2" round center hole in grate
-69	Stainless steel sediment bucket (FS1790-SB-3)
-83	Stainless steel mesh screen over sediment bucket (add to S.S. Bucket)
-90	Threaded side outlet

-90NH	No hub side outlet
-95	Client logo (-3 only)
-150	1/2 grate
-175	3/4 grate
-BA	Minimum 51% material cost made in the USA
-PA	Pennsylvania Steel Act compliant product
-C	Membrane clamp
-F4	4" round funnel
-F6	6" round funnel
-G	4" x 9" oval funnel
-J	3" x 1" oval funnel
P	Push on outlet (2", 3" or 4")
(Standard)	No hub outlet
T	Threaded outlet (2", 3" or 4")
X	Inside caulk outlet (2", 3" or 4")
-Z	Extended wide elastomeric flange (with -FL only)

CALIFORNIA PROPOSITION 65 WARNING. This product contains chemicals known to the State of California to cause cancer and birth defects or other reproductive harm.

Job Name: _____
 Section No: _____
 Schedule No: _____

Page No: _____
 Contractor: _____
 Purchase Order No: _____