

Location: \_\_\_\_\_

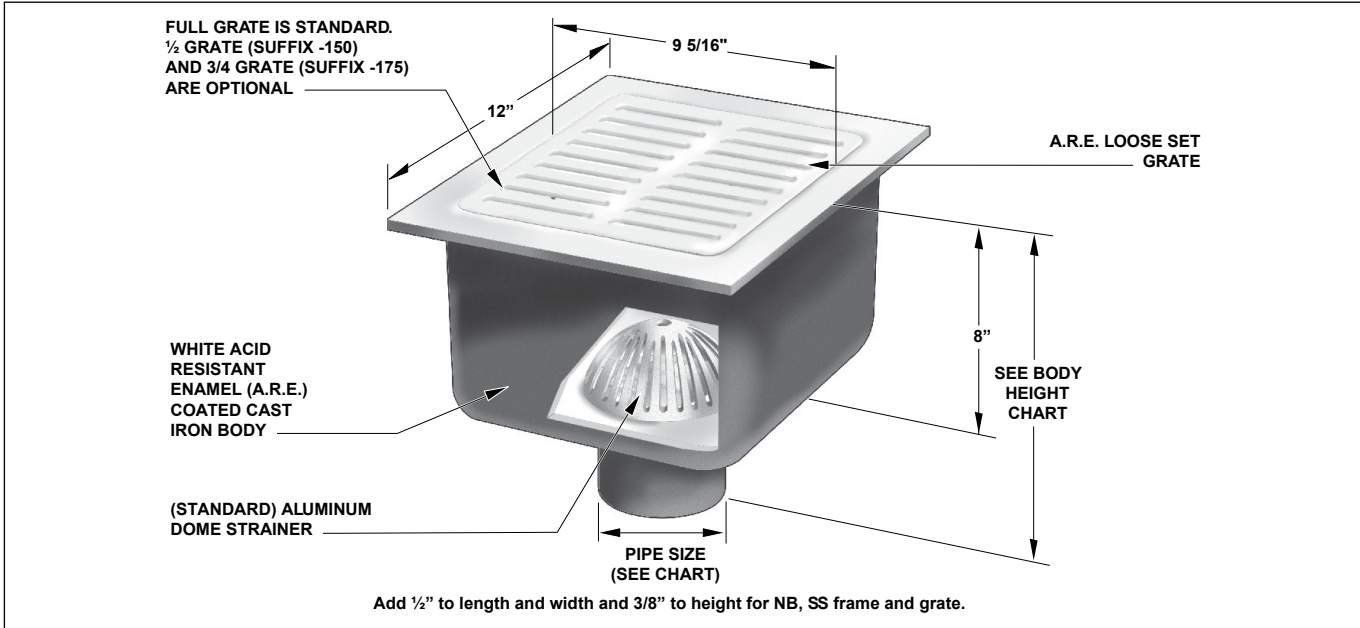


**FS1730**

**12" X 12" 8" FLOOR AREA AND  
INDIRECT SANITARY WASTE DRAIN**

**Specification:** MIFAB Series FS1730, 12" x 12" x 8" deep cast iron floor area and indirect sanitary waste drain complete with white acid resistant porcelain enamel coated interior and loose set grate. Anti-splash aluminum dome strainer included.

**Function:** Used in kitchens, restaurants, grocery stores, hospitals, schools, and other areas that require a large volume sanitary drain. Also suitable for indirect waste applications. The light duty grate is not recommended for foot traffic.



PIPE SIZE	BODY HEIGHT				
	NO HUB (STANDARD)	PUSH ON (P)	THREADED (T)	INSIDE CAULK (X)	PVC (-30) / ABS (-31)
2" (51)	9 3/4" (248)	9 3/4" (248)	*10 1/2" (267)	10 1/2" (267)	*11 1/4" (286)
3" (76)	9 3/4" (248)	9 3/4" (248)	*10 7/8" (276)	10 5/8" (270)	*11 1/4" (286)
4" (102)	9 3/4" (248)	9 3/4" (248)	*10 7/8" (276)	10 5/8" (270)	*11 1/4" (286)

\*Indicates outlet size and connection available with transition outlet body only.

\*\*4" Inside Caulk Outlet body only available with -FL anchor flange Outlet sizes indicated by the \*are available with the transition outlet body only.

SUFFIX	OPTIONAL VARIATIONS
-1	Nickel bronze frame and grate
-3	Stainless steel frame and grate
-5	Sediment bucket
-6	Security screws (1, -3 only, T-20 Torx and pin)
-7	1/2" trap seal primer connection
-8	Backwater valve (2", 3" or 4" only)
-9	Hinged grate (-3 only)
-21	Secondary flat stainless steel strainer
-22	Less grate
see FS1930-FL	Stainless steel body (Type 304)
see FS1930-FL	Stainless steel body (Type 316)
-30	PVC outlet
-31	ABS outlet
-32	Deep seal trap with flushing connection
-50	A.R.E. coated cast iron funnel
-51	2 1/2" round center hole in grate (-1, -3 only)
-69	Stainless steel sediment bucket
-83	Stainless steel mesh screen over sediment bucket

SUFFIX	OPTIONAL VARIATIONS
-90	Threaded side outlet
-90NH	No hub side outlet
-95	Client logo (-1, -3 only)
-150	1/2" CI grate (acid resistant porcelain enamel)
-175	3/4" CI grate (acid resistant porcelain enamel)
-BA	Minimum 51% material cost made in the USA
(Standard)	No hub outlet
-C	Membrane clamp with hardware
-F4	4" round funnel
-F6	6" round funnel
-FL	Anchor flange
-G	4" x 9" oval funnel
-J	3" x 1" oval funnel
-P	Push on outlet
-PA	Pennsylvania Steel Act compliant product
-T	Threaded outlet
X	Inside caulk outlet
-Z	Extended wide elastomeric flange (with -FL only)

CALIFORNIA PROPOSITION 65 WARNING. This product contains chemicals known to the State of California to cause cancer and birth defects or other reproductive harm.

Job Name: \_\_\_\_\_  
 Section No: \_\_\_\_\_  
 Schedule No: \_\_\_\_\_

Page No: \_\_\_\_\_  
 Contractor: \_\_\_\_\_  
 Purchase Order No: \_\_\_\_\_