

Location: _____

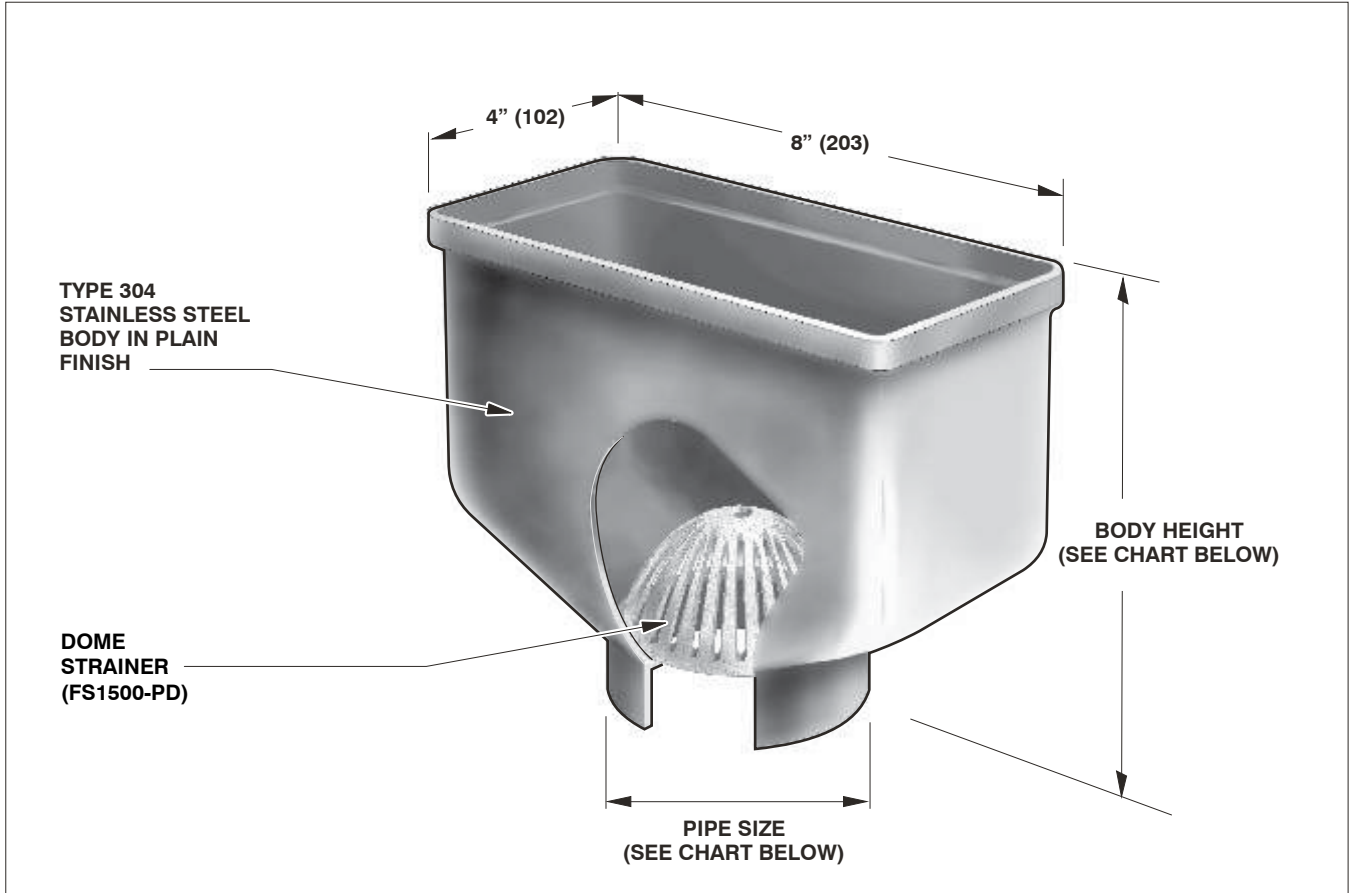


F1880

4" X 8" OPEN SIGHT DRIP DRAIN

Specification: MIFAB® Series F1880 4" x 8" open sight drip drain with Type 304 stainless steel body in plain finish and aluminum bottom dome strainer.

Function: Used in areas that are not traffic prone to provide indirect waste drainage. The rectangular shape facilitates installation with the long dimension against the wall.



PIPE SIZE	BODY HEIGHT		
	NO HUB (STANDARD)	THREADED (T)	INSIDE CAULK (X)
2" (51)	6" (152)	5 1/2" (140)	6" (152)
3" (76)	6" (152)	5 7/8" (149)	6" (152)
4" (102)	6" (152)	5 7/8" (149)	6" (152)

- | SUFFIX | OPTIONAL VARIATIONS |
|--------|--|
| -21 | Secondary flat stainless steel strainer (2", 3", 4") |
| -34 | Closure plug |
| -34B | Bronze closure plug |
| -BA | Minimum 51% material cost made in the USA |
| -FL | Anchor flange |
| -FLC | Anchor flange and membrane clamp |

- | SUFFIX | OPTIONAL VARIATIONS |
|------------|--|
| (Standard) | No hub outlet |
| -MG | MI-GARD Floor Drain Trap Sealer (2", 3" or 4") |
| -PA | Pennsylvania Steel Act compliant product |
| T | Threaded outlet (2", 3", 4") |
| X | Inside caulk outlet |

Job Name: _____	Page No: _____
Section No: _____	Contractor: _____
Schedule No: _____	Purchase Order No: _____