

Location: _____

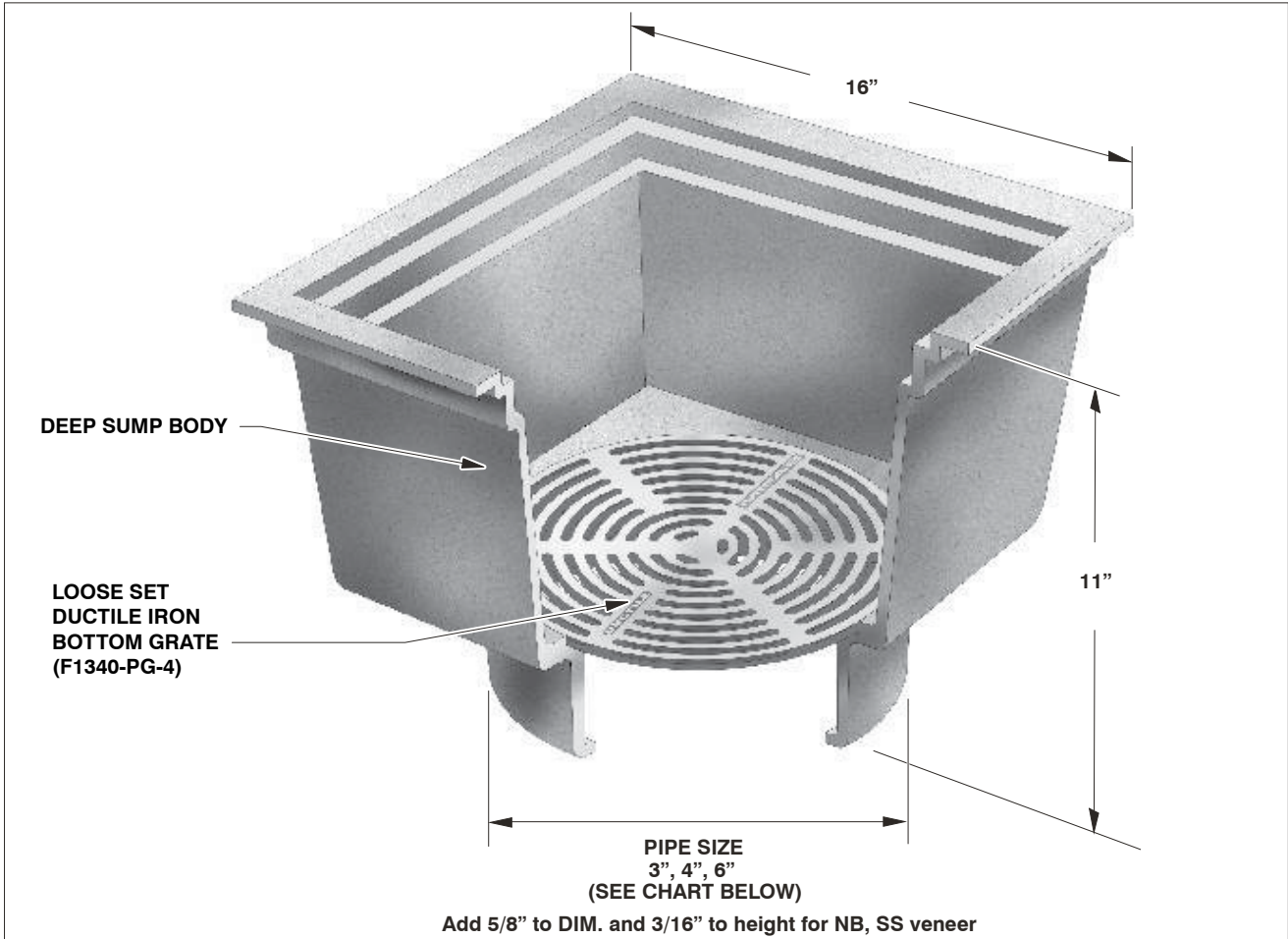


F1870

16" SQUARE OPEN HOPPER DRAIN WITH LOOSE SET BOTTOM GRATE

Specification: MIFAB® Series F1870 16" square open top drain with lacquered cast iron body and loose set ductile iron bottom grate.

Function: Used in areas that are not traffic prone to provide drainage of water from objects placed into the hopper



PIPE SIZE	BODY HEIGHT
	NO HUB (STANDARD)
3" (76)	11" (279)
4" (102)	11" (279)
6" (152)	11" (279)

SUFFIX	OPTIONAL VARIATIONS
-5	Sediment bucket
-11	Acid resistant epoxy coated body
-13	Galvanized body
-16-1	Nickel bronze floor level square grate (vener)
-16-3	Stainless steel floor level square grate (vener)
-16-4	Ductile iron floor level square grate
-21	Secondary flat stainless steel strainer (2", 3", 4")

SUFFIX	OPTIONAL VARIATIONS
-BA	Buy American Act compliant product
-FL	Anchor flange
-FLC	Anchor flange and membrane clamp
(Standard)	No hub outlet
-MG	MI-GARD Floor Drain Trap Sealer (3" or 4")
-PA	Pennsylvania Steel Act compliant product

Job Name: _____	Page No: _____
Section No: _____	Contractor: _____
Schedule No: _____	Purchase Order No: _____