

Location: _____

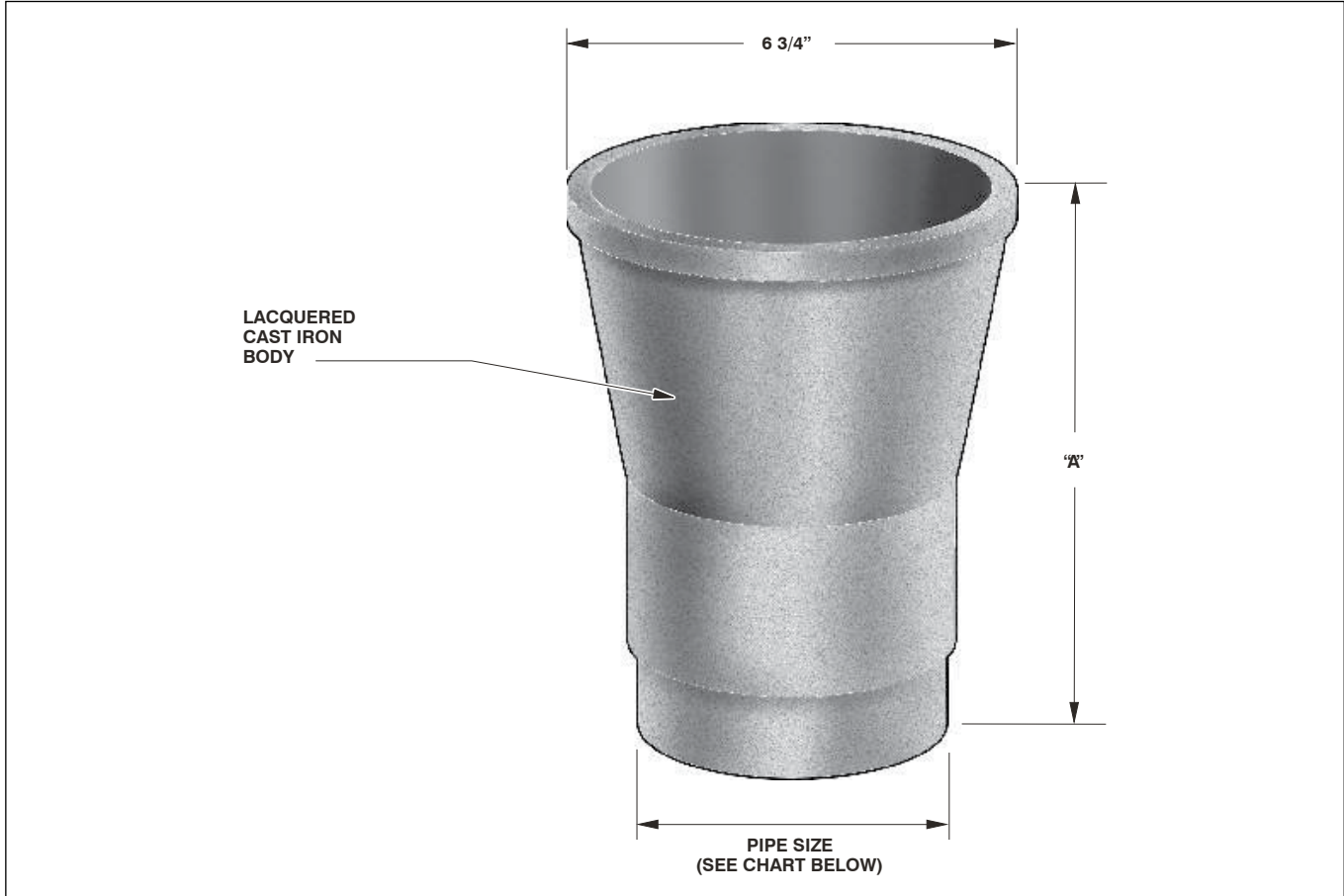


F1780

INDIRECT WASTE FUNNEL

Specification: MIFAB® Series F1780 lacquered cast iron indirect waste funnel.

Function: Used in hospitals and laboratories with indirect waste lines installed above the floor. The funnel will receive condensate, drip or waste water from the indirect waste lines. MIFAB's MI-950 deep seal trap connected to MIFAB's M-500 Series of trap seal primers are recommended for use with the F1780 to prevent sewer gases from entering the room.



PIPE SIZE	BODY HEIGHT "A"		
	NO HUB (STANDARD)	PUSH ON (P)	PVC / ABS (-30) / (-31)
2" (51)	10" (254)	10 3/8" (263)	10 3/8" (263)
3" (76)	10" (254)	10 3/8" (263)	10 3/8" (263)
4" (102)	10" (254)	10 3/8" (263)	10 3/8" (263)
6" (152)	8" (222)	-	-

SUFFIX	OPTIONAL VARIATIONS
-11	Acid resistant epoxy coated body
-13	Galvanized body
-21	Secondary flat stainless steel strainer (2", 3", 4")
-30	PVC socket connection body
-31	ABS socket connection body

-BA	Buy American Act compliant product
(Standard)	No hub outlet
-MG	MI-GARD Floor Drain Trap Sealer (2", 3" or 4")
P	Push on outlet
-PA	Pennsylvania Steel Act compliant product
-T	Threaded Outlet (with A1 body)

CALIFORNIA PROPOSITION 65 WARNING. This product contains chemicals known to the State of California to cause cancer and birth defects or other reproductive harm.

Job Name: _____ Page No: _____
 Section No: _____ Contractor: _____
 Schedule No: _____ Purchase Order No: _____

MIFAB reserves the right to make changes in material and design without formal notice and obligation.

USA: 1-800-465-2736 www.mifab.com CAN: 1-800-387-3880