

Location: _____

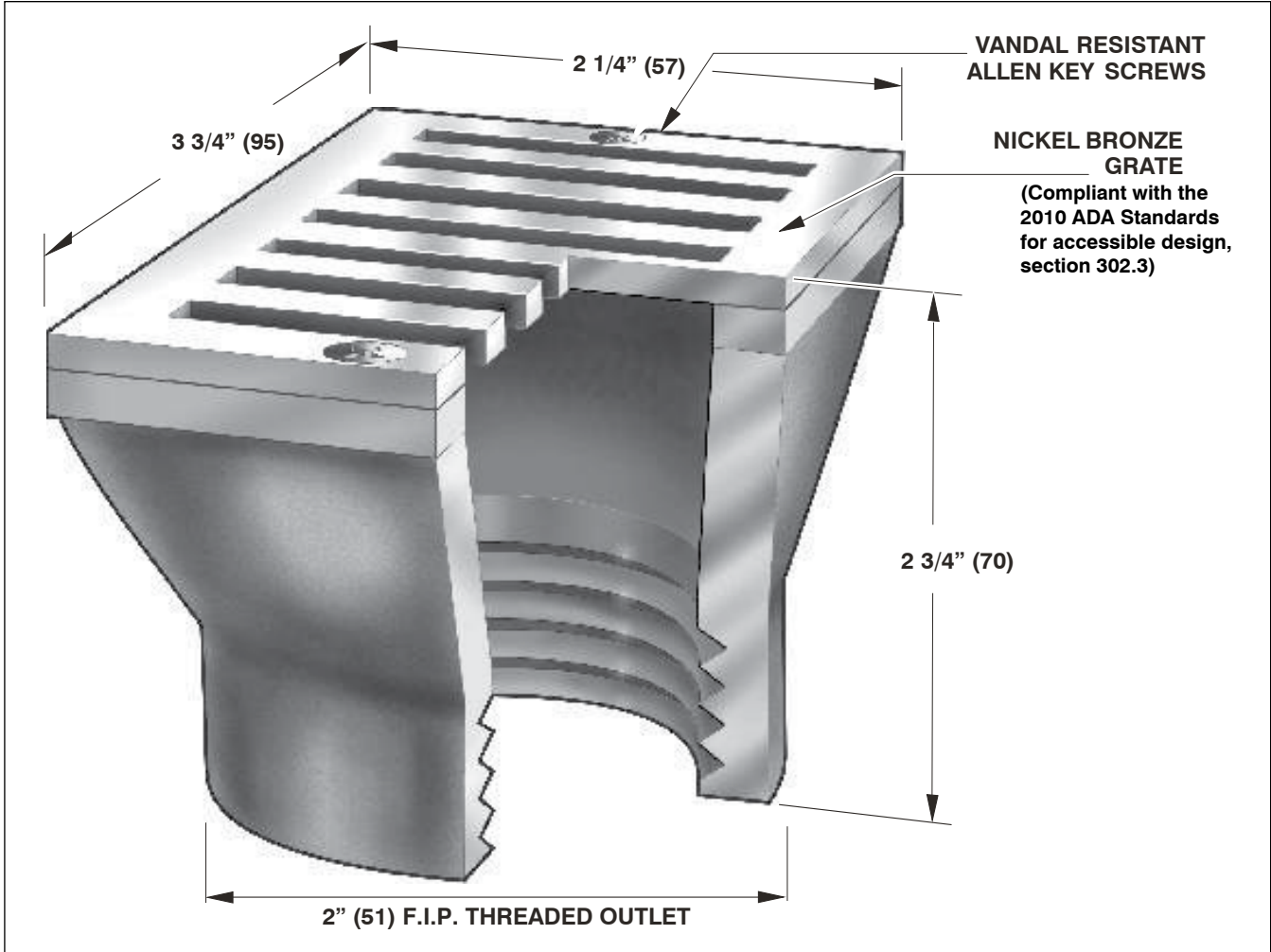


F1720

2 1/4" X 3 3/4" GUTTER DRAIN

Specification: MIFAB® F1720 lacquered cast iron rectangular gutter drain with standard satin finished nickel bronze strainer and vandal resistant allen key screws.

Function: Used in non membrane floor areas that have space limitations for surface drainage.



STRAINER SIZE	ANSI / ASME RATING		PIPE SIZE
	FREE AREA	LOAD RATING N.B. (-1)	
NO HUB (STANDARD)			
3 3/4" x 2 1/4" (95 x 57)	3 in ² (1935 ²)	UP TO 2,000 LBS	2" (51) F.I.P.

SUFFIX	OPTIONAL VARIATIONS
-6	Security screws (T-20 Torx & pin)
-13	Galvanized body

CALIFORNIA PROPOSITION 65 WARNING. This product contains chemicals known to the State of California to cause cancer and birth defects or other reproductive harm.

Job Name: _____ Page No: _____
 Section No: _____ Contractor: _____
 Schedule No: _____ Purchase Order No: _____

MIFAB reserves the right to make changes in material and design without formal notice and obligation.

USA: 1-800-465-2736 www.mifab.com CAN: 1-800-387-3880