

Location: \_\_\_\_\_

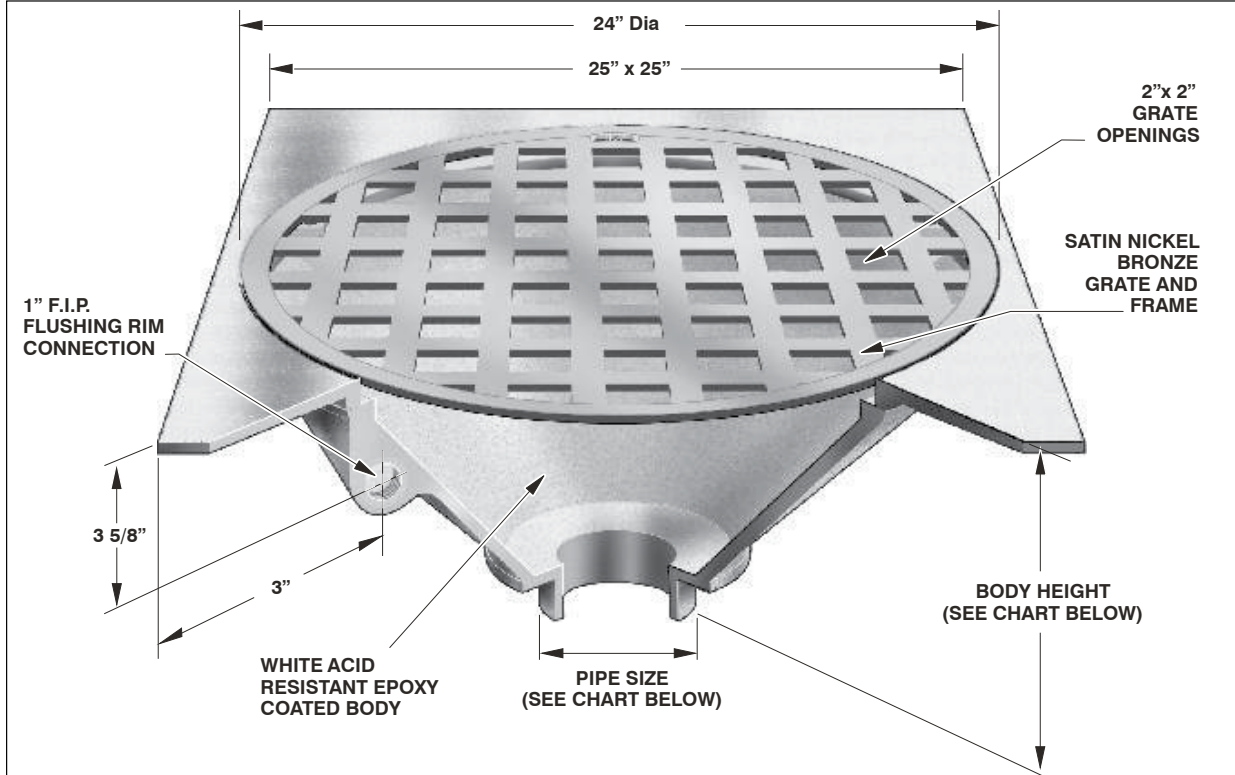


**F1660**

**LARGE CAPACITY FLUSHING RIM FLOOR DRAIN**

**Specification:** MIFAB® Series F1660, 25" (635) square large capacity flushing rim floor drain with white acid resistant epoxy coated cast iron interior and exterior body, 24" (610) diameter nickel bronze grate and 1" (25) flushing connection in body.

**Function:** Used in animal dens and laboratories. The large grate openings allow solids and animal wastes to pass into the drain. The acid resistant epoxy coating and flushing connection provide for sanitary condition.



**Note:** See F1670 for water supply control box to be used with the flushing rim floor drain Use a vacuum breaker between the potable water supply and the connection to the flushing rim connection (by others).

STRAINER DIAMETER	ANSI/ASME RATING		PIPE SIZE	BODY HEIGHT				
	FREE AREA	LOAD RATING N.B. (-1)		NO HUB (STANDARD)	PUSH ON (P)	THREADED (T)	INSIDE CAULK (X)	PVC/ABS (-30)/(-31)
24" (610)	232 in <sup>2</sup> (149,677 <sup>2</sup> )	UP TO 2,000 LBS.	2" (51)	12 1/2" (318)	13 1/8" (333)	12" (305)	13 1/2" (343)	12 11/16" (322)
			3" (76)	12 1/2" (318)	13 1/8" (333)	12 3/8" (333)	13 1/2" (343)	13 1/2" (343)
			4" (102)	12 1/2" (318)	13 1/8" (333)	12 3/8" (333)	13 1/2" (343)	13 1/2" (343)
			5" (127)	12 1/2" (318)	—	12 3/8" (333)	13 1/2" (343)	—
			6" (152)	13" (330)	14 1/2" (368)	—	—	—

SUFFIX	OPTIONAL VARIATIONS
-1	Nickel bronze frame and grate
-5	Sediment bucket
-6	Security screws (T-20 Torx & pin)
-8	Backwater valve (2", 3", 4")
-13	Galvanized body
-21	Secondary flat stainless steel strainer (2", 3", 4")
-30	PVC socket connection body
-31	ABS socket connection body
-90	Threaded side outlet (2", 3", 4")
-90NH	No hub side outlet (2", 3", 4")

SUFFIX	OPTIONAL VARIATIONS
-BA	Buy American Act compliant product
-G	Trap with flushing connection
(Standard)	No hub outlet
-MG	MI-GARD Floor Drain Trap Sealer (2", 3" or 4")
P	Push on outlet
-PA	Pennsylvania Steel Act compliant product
T	Threaded outlet (2", 3", 4")
X	Inside caulk outlet
-Z	Extended wide elastomeric flange

Job Name: _____	Page No: _____
Section No: _____	Contractor: _____
Schedule No: _____	Purchase Order No: _____