

Location: \_\_\_\_\_

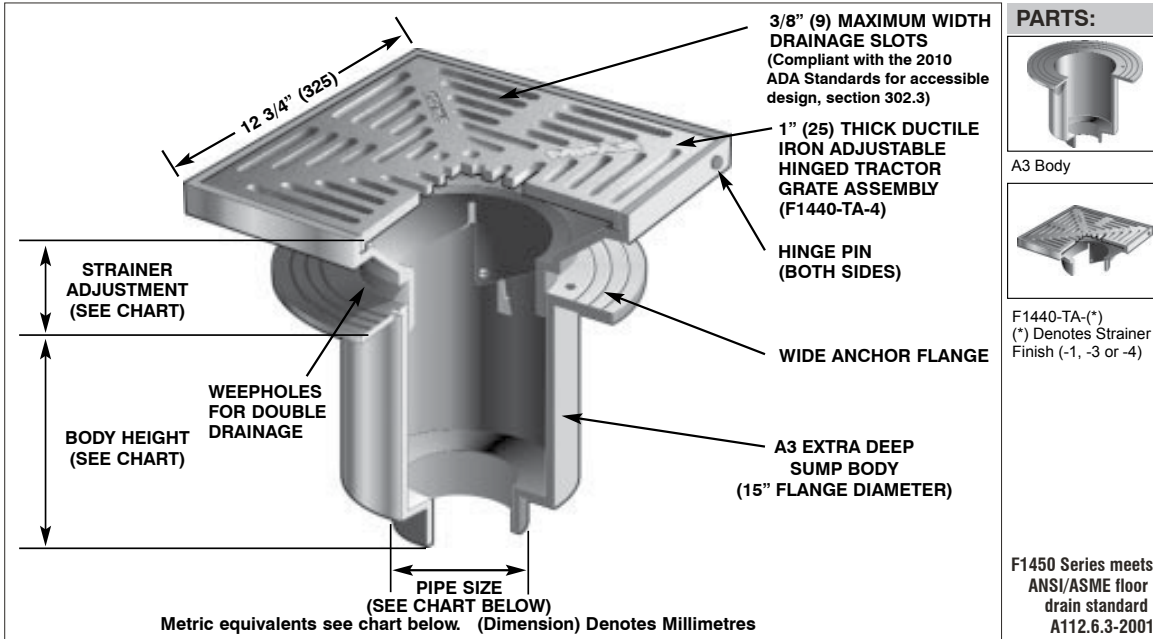


**F1450**

**FLOOR DRAIN WITH 12" ROUND ADJUSTABLE TRACTOR GRATE AND EXTRA DEEP SUMP**

**Specification:** MIFAB® Series F1450 lacquered cast iron floor drain with anchor flange, weepholes, and adjustable collar with extra deep sump body and standard 1" (25) thick, 12" (305) hinged square, (specify material finish) tractor grate.

**Function:** Used in warehouses, mechanical rooms, parking garages and other non-membrane finished areas. 12" square, adjustable tractor grate is used with all types of poured finished floors. Deep sump body provides capacity for heavy water flow.



STRAINER DIAMETER	STRAINER ADJUSTMENT		ANSI/ASME RATING		PIPE SIZE	BODY HEIGHT				
	MIN	MAX	FREE AREA	LOAD RATING		NO HUB (STANDARD)	PUSH ON (P)	THREADED (T)	INSIDE CAULK (X)	PVC/ABS (-30)/(-31)
12" x 12" (305 x 305)	2 1/4" (57)	4 1/8" (105)	51 in <sup>2</sup> (32,903 <sup>2</sup> )	ANSI/ASME LOAD CLASS "SPECIAL DUTY" (OVER 10,000 LBS.)	2" (51)	12 1/4" (311)	12 1/2" (318)	11 1/2" (292)	13" (330)	12 1/8" (308)
					3" (76)	12 1/4" (311)	12 1/2" (318)	11 7/8" (302)	13" (330)	12 5/8" (321)
					4" (102)	12 1/4" (311)	12 1/2" (318)	11 7/8" (302)	13" (330)	12 5/8" (321)
					5" (127)	12 1/4" (311)	—	11 7/8" (302)	16" (406)	—
					6" (152)	12 1/4" (311)	12 1/2" (318)	—	—	—

**SUFFIX      OPTIONAL VARIATIONS**

- 1      Nickel bronze strainer (vener)
- 3      Stainless steel strainer (vener)
- 4      Ductile iron strainer
- 5      Sediment bucket
- 6      Security screws (T-20 Torx & pin)
- 7      1/2" trap seal primer connection
- 8      Backwater valve (2", 3", 4")
- 11     Acid resistant epoxy coated body
- 12     Galvanized top assembly
- 13     Galvanized body
- 15     Extension
- 20     Secondary dome strainer
- 21     Secondary flat stainless steel strainer (2", 3", 4")
- 24     Solid secured cover
- 28     Stainless steel body (Type 304)
- 30     PVC socket connection body
- 31     ABS socket connection body
- 32     2", 3", 4" integral deep seal trap
- 34     Closure plug
- 35     Stainless steel mesh over bucket
- 40     Underdeck clamp

**SUFFIX      OPTIONAL VARIATIONS**

- 41     Sump receiver
- 50     Lacquered cast iron funnel
- 90     Threaded side outlet (2", 3", 4")
- 90NH   No hub side outlet (2", 3", 4")
- 95     Client logo
- BA     Buy American Act compliant product
- C      Membrane clamp
- F4     4" Round funnel
- F6     6" Round funnel
- G      Oval 4" x 9" funnel
- HP     Heel proof grate (1/4" maximum grate opening size, -3 only)
- J      6" x 3" x 1" funnel
- (Standard)   No hub outlet
- MG     MI-GARD Floor Drain Trap Sealer (2", 3" or 4")
- P      Push on outlet
- PA     Pennsylvania Steel Act compliant product
- T      Threaded outlet (2", 3", 4")
- X      Inside caulk outlet
- Y      Non-adjustable top
- Z      Extended wide elastomeric flange

Job Name: \_\_\_\_\_ Page No: \_\_\_\_\_

Section No: \_\_\_\_\_ Contractor: \_\_\_\_\_

Schedule No: \_\_\_\_\_ Purchase Order No: \_\_\_\_\_