

Location: _____

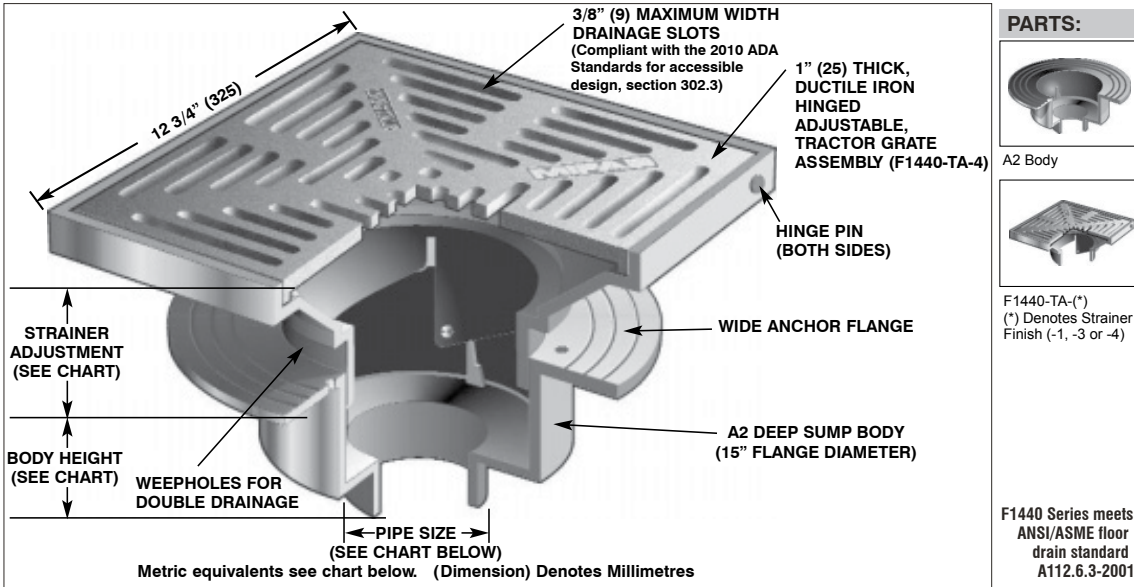


F1440


FLOOR DRAIN WITH 12" SQUARE ADJUSTABLE TRACTOR GRATE

Specification: MIFAB® Series F1440 lacquered cast iron deep sump floor drain with anchor flange, weepholes, and adjustable collar with standard 1" (25) thick, 12" (305) hinged square, (specify material finish) tractor grate.

Function: Used in warehouses, mechanical rooms, parking garages and other non-membrane finished areas. 12" square, adjustable tractor grate is used with all types of poured finished floors.



PARTS:



A2 Body



F1440-TA-(*)
(* Denotes Strainer Finish (-1, -3 or -4)

F1440 Series meets ANSI/ASME floor drain standard A112.6.3-2001

STRAINER DIAMETER	STRAINER ADJUSTMENT		FREE AREA	ANSI/ASME RATING	PIPE SIZE	BODY HEIGHT				
	MIN	MAX		LOAD RATING		NO HUB (STANDARD)	PUSH ON (P)	THREADED (T)	INSIDE CAULK (X)	PVC/ABS (-30)/(-31)
12" x 12" (305 x 305)	2 1/4" (57)	4 1/8" (105)	51 in ² (32,903 ^{cm} ²)	N.B. (-1) / S.S. (-3) / D.I. (-4)	2" (51)	6" (152)	6 1/8" (156)	5 7/16" (138)	6 1/4" (159)	7 1/8" (181)
				ANSI/ASME LOAD CLASS "SPECIAL DUTY" (OVER 10,000 LBS.)	3" (76)	6" (152)	6 1/8" (156)	5 7/16" (138)	6 1/4" (159)	7 3/8" (187)
					4" (102)	6" (152)	6 1/8" (156)	5 7/16" (138)	6 1/4" (159)	7 3/8" (187)
					5" (127)	6" (152)	—	5 7/16" (138)	6 1/4" (159)	—
					6" (152)	7 1/4" (184)	7" (178)	7" (178)	6 1/4" (159)	—

SUFFIX OPTIONAL VARIATIONS

- 1 Nickel bronze (vener)
- 3 Stainless steel (vener)
- 4 Ductile iron strainer
- 5 Sediment bucket
- 6 Security screws (T-20 Torx & pin)
- 7 1/2" trap seal primer connection
- 8 Backwater valve (2", 3", 4")
- 11 Acid resistant epoxy coated body
- 12 Galvanized top assembly
- 13 Galvanized body
- 15 Extension
- 20 Secondary dome strainer
- 21 Secondary flat stainless steel strainer (2", 3", 4")
- 24 Solid secured cover
- 28 Stainless steel body (Type 304)
- 30 PVC socket connection body
- 31 ABS socket connection body
- 32 2", 3", 4" integral deep seal trap
- 34 Closure plug
- 35 Stainless steel mesh over bucket
- 40 Underdeck clamp

SUFFIX OPTIONAL VARIATIONS

- 41 Sump receiver
- 50 Lacquered cast iron funnel
- 90 Threaded side outlet (2", 3", 4")
- 90NH No hub side outlet (2", 3", 4")
- 95 Client logo
- BA Buy American Act compliant product
- C Membrane clamp
- F4 4" Round funnel
- F6 6" Round funnel
- G Oval 4" x 9" funnel
- HP Heel proof grate (1/4" maximum grate opening size, -3 only)
- J 6" x 3" x 1" funnel
- (Standard) No hub outlet
- MG MI-GARD Floor Drain Trap Sealer (2", 3" or 4")
- P Push on Outlet
- PA Pennsylvania Steel Act compliant product
- T Threaded outlet (2", 3", 4")
- X Inside caulk outlet
- Y Non-adjustable top
- Z Extended wide elastomeric flange

CALIFORNIA PROPOSITION 65 WARNING. This product contains chemicals known to the State of California to cause cancer and birth defects or other reproductive harm.

Job Name: _____ Page No: _____
 Section No: _____ Contractor: _____
 Schedule No: _____ Purchase Order No: _____