

Location: \_\_\_\_\_

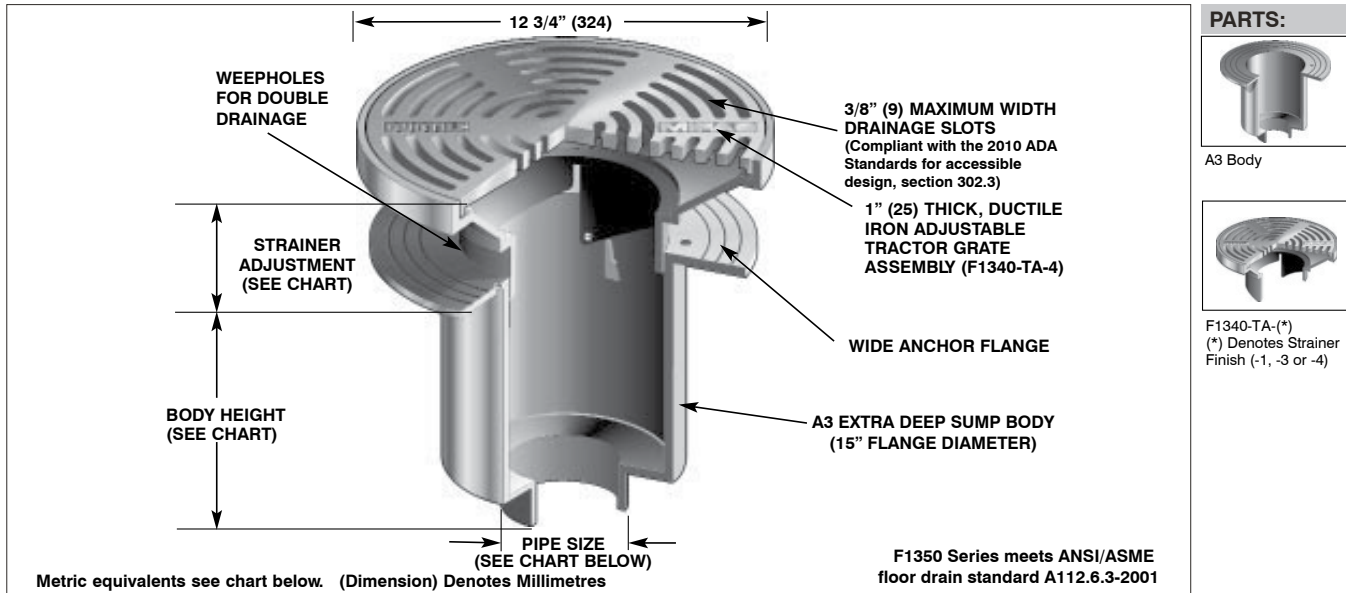


**F1350**


**FLOOR DRAIN WITH 12" ROUND ADJUSTABLE TRACTOR GRATE AND EXTRA DEEP SUMP**

**Specification:** MIFAB® Series F1350 lacquered cast iron floor drain with anchor flange, weepholes and adjustable collar with extra deep sump body and standard 1" (25) thick, 12" (305) round, (specify material finish) tractor grate.


**Function:** Used in warehouses, mechanical rooms, parking garages and other non-membrane finished areas. 12" Round, adjustable tractor grate is used with all types of poured finished floors. Deep sump body provides capacity for heavy water flow.



**PARTS:**



A3 Body



F1340-TA- (\*)  
(\*) Denotes Strainer Finish (-1, -3 or -4)

STRAINER DIAMETER	STRAINER ADJUSTMENT		ANSI/ASME RATING		PIPE SIZE	BODY HEIGHT				
			FREE AREA	LOAD RATING		NO HUB (STANDARD)	PUSH ON (P)	THREADED (T)	INSIDE CAULK (X)	PVC/ABS (-30)/(-31)
				N.B. (-1) / S.S. (-3) / D.I. (-4)						
12" (305)	2 1/4" (57)	4 1/8" (105)	68.9 in <sup>2</sup> (44,452 mm <sup>2</sup> )	ANSI/ASME LOAD CLASS "SPECIAL DUTY" (OVER 10,000 LBS.)	2" (51)	12 1/4" (311)	12 1/2" (318)	11 1/2" (292)	13" (330)	12 1/8" (308)
					3" (76)	12 1/4" (311)	12 1/2" (318)	11 7/8" (302)	13" (330)	12 5/8" (321)
					4" (102)	12 1/4" (311)	12 1/2" (318)	11 7/8" (302)	13" (330)	12 5/8" (321)
					5" (127)	12 1/4" (311)	—	11 7/8" (302)	16" (406)	—
					6" (152)	12 1/4" (311)	12 1/2" (318)	—	—	—

SUFFIX	OPTIONAL VARIATIONS
-1	Nickel bronze strainer (vener)
-3	Stainless steel strainer (vener)
-4	Ductile iron strainer
-5	Sediment bucket
-6	Security screws (T-20 Torx & pin)
-7	1/2" trap seal primer connection
-8	Backwater valve (2", 3", 4")
-11	Acid resistant epoxy coated body
-12	Galvanized top assembly
-13	Galvanized body
-15	Extension
-16	Square Top
-17	With trap and cleanout
-18	With trap and oil cone and cleanout
-21	Secondary flat stainless steel strainer (2", 3", 4")
-24	Solid secured cover
-28	Stainless steel body (Type 304)
-30	PVC socket connection body
-31	ABS socket connection body
-32	2", 3", 4" integral deep seal trap
-34	Closure plug
-35	Stainless steel mesh over bucket

-36	Can wash assembly package
-40	Underdeck clamp
-41	Sump receiver
-50	Lacquered cast iron funnel
-90	Threaded side outlet (2", 3", 4")
-90NH	No hub side outlet (2", 3", 4")
-95	Client logo
-BA	Buy American Act compliant product
-C	Membrane clamp
-F4	4" Round funnel
-F6	6" Round funnel
-G	Oval 4" x 9" funnel
-HP	Heel proof grate (1/4" maximum grate opening size, -3 only)
-J	6" x 3" x 1" funnel
(Standard)	No hub outlet
-MG	MI-GARD Floor Drain Trap Sealer (2", 3" or 4")
P	Push on Outlet
-PA	Pennsylvania Steel Act compliant product
T	Threaded outlet (2", 3", 4")
-Y	Non-adjustable top
X	Inside caulk outlet
-Z	Extended wide elastomeric flange

CALIFORNIA PROPOSITION 65 WARNING. This product contains chemicals known to the State of California to cause cancer and birth defects or other reproductive harm.

Job Name: \_\_\_\_\_ Page No: \_\_\_\_\_  
 Section No: \_\_\_\_\_ Contractor: \_\_\_\_\_  
 Schedule No: \_\_\_\_\_ Purchase Order No: \_\_\_\_\_