

Location: _____

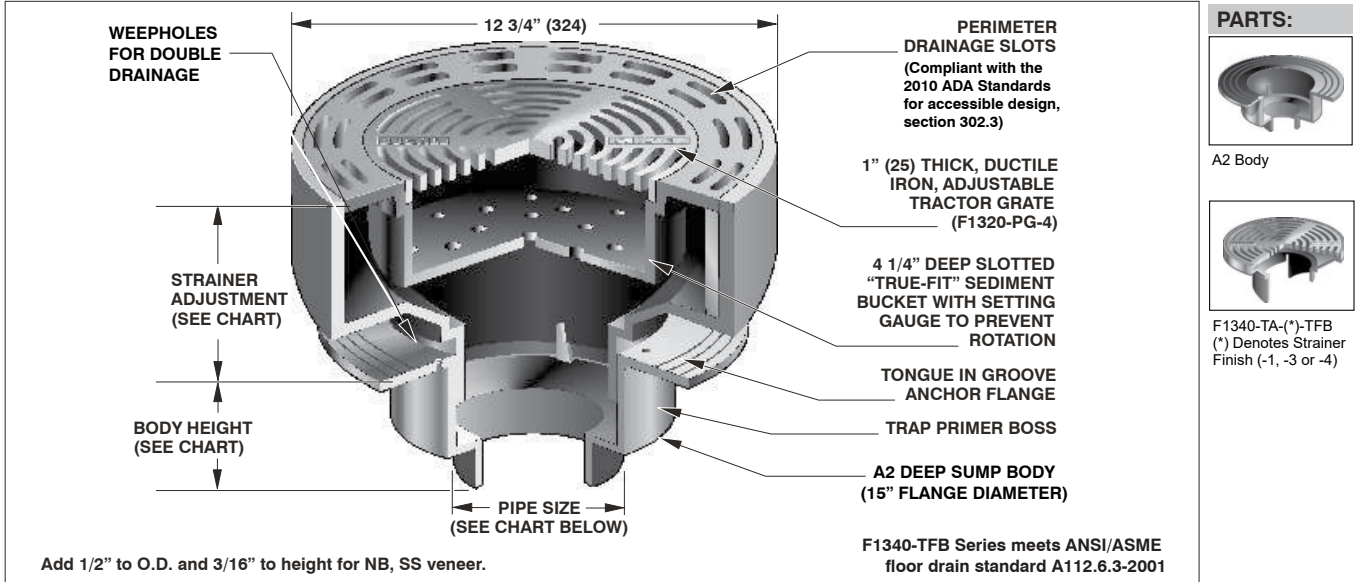


F1340-TFB


FLOOR DRAIN WITH 12" ROUND ADJUSTABLE TRACTOR GRATE AND "TRUE-FIT" SEDIMENT BUCKET

Specification: MIFAB® Series F1340-TFB-4 lacquered cast iron deep sump floor drain with anchor flange, weepholes, and adjustable collar with standard 1" (25) thick, 12" (305) round, (specify material finish) tractor grate and "True-Fit" sediment bucket designed so that grate cannot be set unless the sediment bucket is in position.


Function: Used where waste water contains solids or debris that must be intercepted to prevent drain line clogging. "True-Fit" design ensures that the sediment bucket will always be replaced after cleaning. The grate cannot be set unless the sediment bucket is in place.



PARTS:



A2 Body



F1340-TA(*)-TFB
(*) Denotes Strainer Finish (-1, -3 or -4)

Add 1/2" to O.D. and 3/16" to height for NB, SS veneer.

F1340-TFB Series meets ANSI/ASME floor drain standard A112.6.3-2001

STRAINER DIAMETER	STRAINER ADJUSTMENT		ANSI/ASME RATING		PIPE SIZE	BODY HEIGHT				
			FREE AREA	LOAD RATING		NO HUB (STANDARD)	PUSH ON (P)	THREADED (T)	INSIDE CAULK (X)	PVC/ABS (-30)/(-31)
	N.B. (-1) / S.S. (-3) / D.I. (-4)									
12" 3/4" (324)	MIN 2 1/4" (57)	MAX 4 1/8" (105)	33 in ² (21,290 ²)	ANSI/ASME LOAD CLASS "SPECIAL DUTY" (OVER 10,000 LBS.)	2" (51)	6" (152)	6 1/8" (156)	5 7/16" (138)	6 1/4" (159)	7 1/8" (181)
					3" (76)	6" (152)	6 1/8" (156)	5 7/16" (138)	6 1/4" (159)	7 3/8" (187)
	4" (102)	6" (152)			6 1/8" (156)	5 7/16" (138)	6 1/4" (159)	7 3/8" (187)		
	5" (127)	6" (152)			—	5 7/16" (138)	6 1/4" (159)	—		
	6" (152)	7 1/4" (184)			7" (178)	7" (178)	6 1/4" (159)	—		
	8" (204)	5 7/8" (150)			—	—	—	—		

SUFFIX	OPTIONAL VARIATIONS
-1	Nickel bronze strainer (vener)
-3	Stainless steel strainer (vener)
-4	Ductile iron strainer
-6	Security screws (T-20 Torx & pin)
-7	1/2" trap seal primer connection
-8	Backwater valve (2", 3", 4")
-11	Acid resistant epoxy coated body
-12	Galvanized top assembly
-13	Galvanized body
-15	Extension
-21	Secondary flat stainless steel strainer (2", 3", 4")
-28	Stainless steel body (Type 304)
-30	PVC socket connection body
-31	ABS socket connection body
-32	2", 3", 4" integral deep seal trap
-34	Closure plug
-35	S.S. mesh over bucket
-40	Underdeck clamp
-41	Sump receiver
-50	Lacquered cast iron funnel
-90	Threaded side outlet (2", 3", 4")
-90NH	No hub side outlet (2", 3", 4")
-95	Client logo
-150	Half grate
-175	Three quarter grate
-BA	Buy American Act compliant product
-C	Membrane clamp (floor and area drains)
-C2	High rough-in membrane clamp (min. 1 9/16" (40))
-F4	4" Round funnel
-F6	6" Round funnel
-G	Oval 4" x 9" funnel
-HP	Heel proof grate (1/4" maximum grate opening size, -3 only)
-J	6" x 3" x 1" funnel
(Standard)	No hub outlet
-MG	MI-GARD Floor Drain Trap Sealer (2", 3" or 4")
P	Push on outlet
-PA	Pennsylvania Steel Act compliant product
T	Threaded outlet (2", 3", 4")
X	Inside caulk outlet
-Z	Extended wide elastomeric flange

CALIFORNIA PROPOSITION 65 WARNING. This product contains chemicals known to the State of California to cause cancer and birth defects or other reproductive harm.

Job Name: _____ Page No: _____
 Section No: _____ Contractor: _____
 Schedule No: _____ Purchase Order No: _____