

Location: \_\_\_\_\_

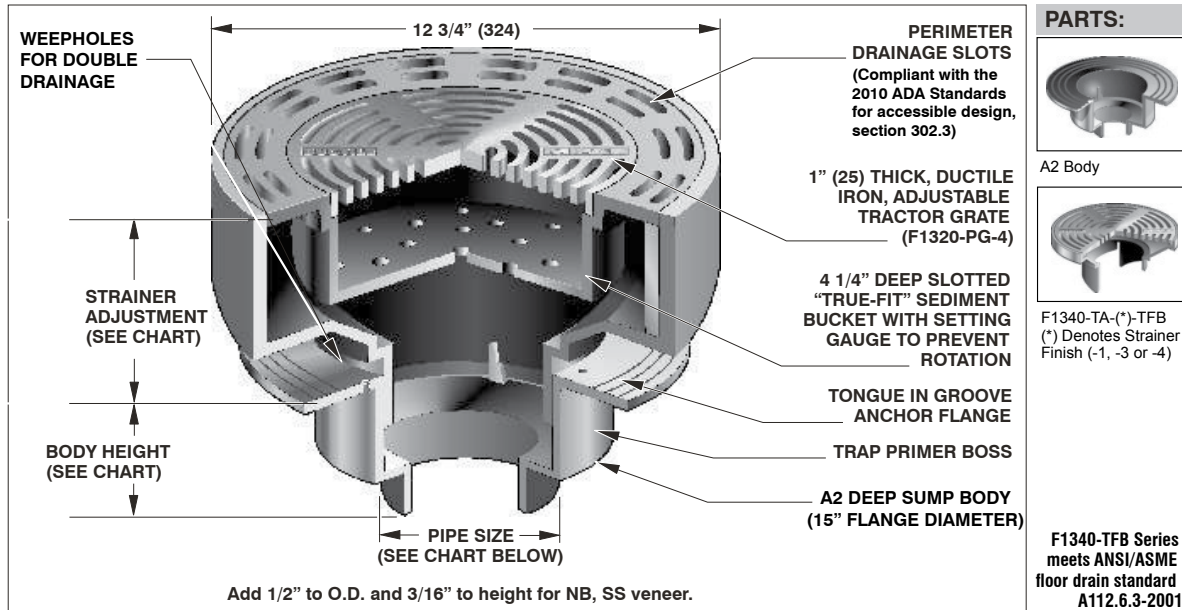


# F1340-TFB

## FLOOR DRAIN WITH 12" ROUND ADJUSTABLE TRACTOR GRATE AND "TRUE-FIT" SEDIMENT BUCKET

**Specification:** MIFAB® Series F1340-TFB-4 lacquered cast iron deep sump floor drain with anchor flange, weepholes, and adjustable collar with standard 1" (25) thick, 12" (305) round, (specify material finish) tractor grate and "True-Fit" sediment bucket designed so that grate cannot be set unless the sediment bucket is in position.

**Function:** Used where waste water contains solids or debris that must be intercepted to prevent drain line clogging. "True-Fit" design ensures that the sediment bucket will always be replaced after cleaning. The grate cannot be set unless the sediment bucket is in place.



Add 1/2" to O.D. and 3/16" to height for NB, SS veneer.

**PARTS:**



A2 Body

F1340-TA-(-)-TFB  
(\*) Denotes Strainer Finish (-1, -3 or -4)

F1340-TFB Series meets ANSI/ASME floor drain standard A112.6.3-2001

STRAINER DIAMETER	STRAINER ADJUSTMENT		ANSI/ASME RATING		PIPE SIZE	BODY HEIGHT				
	MIN	MAX	FREE AREA	LOAD RATING		NO HUB (STANDARD)	PUSH ON (P)	THREADED (T)	INSIDE CAULK (X)	PVC/ABS (-30)/(-31)
12" 3/4" (324)	2 1/4" (57)	4 1/8" (105)	33 in <sup>2</sup> (21,290 <sup>2</sup> )	ANSI/ASME LOAD CLASS "SPECIAL DUTY" (OVER 10,000 LBS.)	2" (51)	6" (152)	6 1/8" (156)	5 7/16" (138)	6 1/4" (159)	7 1/8" (181)
					3" (76)	6" (152)	6 1/8" (156)	5 7/16" (138)	6 1/4" (159)	7 3/8" (187)
					4" (102)	6" (152)	6 1/8" (156)	5 7/16" (138)	6 1/4" (159)	7 3/8" (187)
					5" (127)	6" (152)	—	5 7/16" (138)	6 1/4" (159)	—
					6" (152)	7 1/4" (184)	7" (178)	7" (178)	6 1/4" (159)	—
					8" (204)	5 7/8" (150)	—	—	—	—

- SUFFIX      OPTIONAL VARIATIONS**
- 1 Nickel bronze strainer (vener)
  - 3 Stainless steel strainer (vener)
  - 4 Ductile iron strainer
  - 6 Security screws (T-20 Torx & pin)
  - 7 1/2" trap seal primer connection
  - 8 Backwater valve (2", 3", 4")
  - 11 Acid resistant epoxy coated body
  - 12 Galvanized top assembly
  - 13 Galvanized body
  - 15 Extension
  - 21 Secondary flat stainless steel strainer (2", 3", 4")
  - 28 Stainless steel body (Type 304)
  - 30 PVC socket connection body
  - 31 ABS socket connection body
  - 32 2", 3", 4" integral deep seal trap
  - 34 Closure plug
  - 35 S.S. mesh over bucket
  - 40 Underdeck clamp

- SUFFIX      OPTIONAL VARIATIONS**
- 41 Sump receiver
  - 50 Lacquered cast iron funnel
  - 90 Threaded side outlet (2", 3", 4")
  - 90NH No hub side outlet (2", 3", 4")
  - 95 Client logo
  - BA Buy American Act compliant product
  - C2 High rough-in membrane clamp (min. 1 9/16" (40))
  - F4 4" Round funnel
  - F6 6" Round funnel
  - G Oval 4" x 9" funnel
  - HP Heel proof grate (1/4" maximum grate opening size, -3 only)
  - J 6" x 3" x 1" funnel
  - (Standard) No hub outlet
  - MG MI-GARD Floor Drain Trap Sealer (2", 3" or 4")
  - P Push on outlet
  - PA Pennsylvania Steel Act compliant product
  - T Threaded outlet (2", 3", 4")
  - X Inside caulk outlet
  - Z Extended wide elastomeric flange

CALIFORNIA PROPOSITION 65 WARNING. This product contains chemicals known to the State of California to cause cancer and birth defects or other reproductive harm.

Job Name: \_\_\_\_\_ Page No: \_\_\_\_\_

Section No: \_\_\_\_\_ Contractor: \_\_\_\_\_

Schedule No: \_\_\_\_\_ Purchase Order No: \_\_\_\_\_