

Location: _____

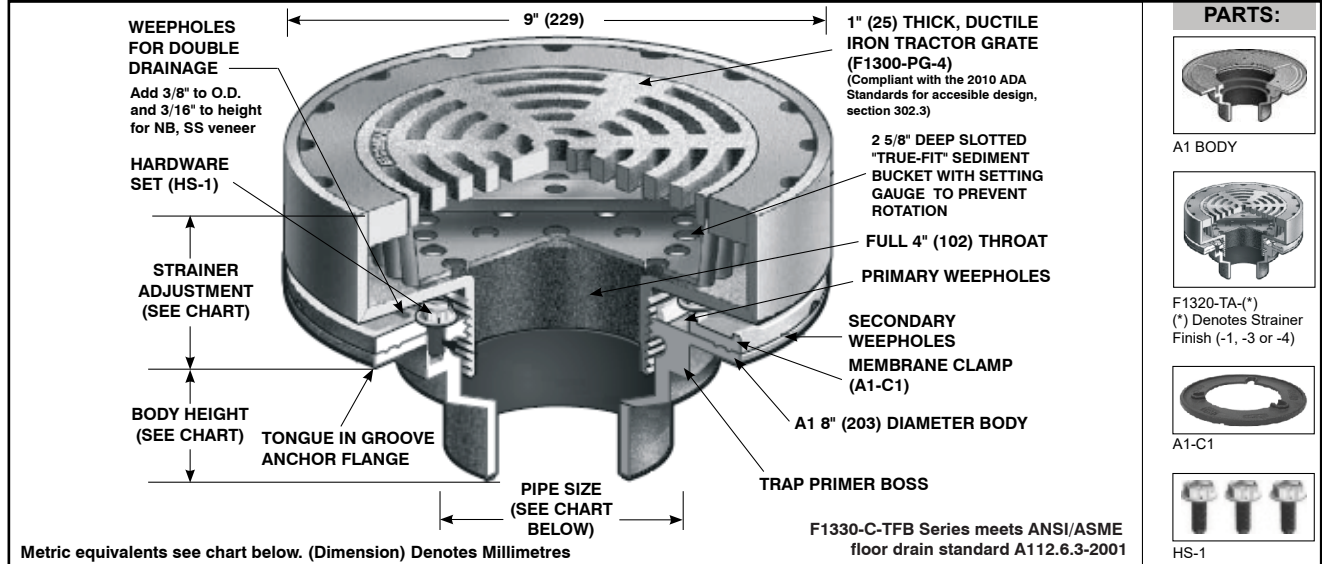


F1320-C-TFB


FLOOR DRAIN WITH 9" ROUND ADJUSTABLE TRACTOR GRATE AND "TRUE-FIT" SEDIMENT BUCKET

Specification: MIFAB® Series F1320-C-TFB lacquered cast iron floor drain with anchor flange, cast iron membrane clamp with primary and secondary weepholes for waterproofing membrane, standard 1" (25) thick, 9" (235) round, (specify material finish) tractor grate, and "True-Fit" sediment bucket designed so that grate cannot be set unless the sediment bucket is in position. (For non-membrane floors, use F1320-TFB Series.)


Function: Used where waste water contains solids or debris that must be intercepted to prevent drain line clogging. "True-Fit" design ensures that the sediment bucket will always be replaced after cleaning. The grate cannot be set unless the sediment bucket is in place.




PARTS:




A1 BODY



F1320-TA-(*)
(* Denotes Strainer Finish -1, -3 or -4)



A1-C1



HS-1

Metric equivalents see chart below. (Dimension) Denotes Millimetres

F1320-C-TFB Series meets ANSI/ASME floor drain standard A112.6.3-2001

STRAINER SIZE	STRAINER ADJUSTMENT		ANSI/ASME RATING		PIPE SIZE	BODY HEIGHT				
	MIN	MAX	FREE AREA	LOAD RATING N.B. (-1) / S.S. (-3) / D.I. (-4)		NO HUB (STANDARD)	PUSH ON (P)	THREADED (T)	INSIDE CAULK (X)	PVC/ABS (-30)/(-31)
9" (229)	2" (51)	2 1/2" (64)	18 in² (11613²)	ANSI/ASME LOAD CLASS "SPECIAL DUTY" (OVER 10,000 LBS.)	2" (51)	3" (76)	3 3/8" (86)	2 1/4" (57)	3 3/4" (95)	2 15/16" (75)
					3" (76)	3" (76)	3 3/8" (86)	2 5/8" (67)	3 3/4" (95)	3 3/4" (95)
					4" (102)	3" (76)	3 3/8" (86)	2 5/8" (67)	3 3/4" (95)	3 3/4" (95)
					5" (127)	3" (76)	--	2 5/8" (67)	3 3/4" (95)	--
					6" (152)	3 1/4" (83)	6 1/2" (165)	--	--	--

SUFFIX	OPTIONAL VARIATIONS
-1	Nickel bronze (vener)
-3	Stainless steel (vener)
-4	Ductile iron strainer
-5	Sediment bucket
-6	Security screws (T-20 Torx & pin)
-7	1/2" trap seal primer connection
-8	Backwater valve (2", 3", 4")
-11	Acid resistant epoxy coated body
-12	Galvanized top assembly
-13	Galvanized body
-14	Non-tilt grate
-15	Extension
-16	Square top
-21	Secondary flat stainless steel strainer (2", 3", 4")
-24	Solid secured cover
-28	Stainless steel body (Type 304)
-30	PVC socket connection body
-31	ABS socket connection body
-32	2", 3", 4" integral deep seal trap
-34	Closure plug
-40	Underdeck clamp
-41	Sump receiver
-50	Lacquered cast iron funnel

-90	Threaded side outlet (2", 3", 4")
-90NH	No hub side outlet (2", 3", 4")
-95	Client logo
-150	Half grate
-175	Three quarter grate
-BA	Buy American Act compliant product
-F4	4" Round funnel
-F6	6" Round funnel
-G	Oval 4" x 9" funnel
-HP	Heel proof grate (1/4" maximum grate opening size, -3 only)
-J	6" x 3" x 1" funnel
(Standard)	No hub outlet
-MG	MI-GARD Floor Drain Trap Sealer (2", 3" or 4")
P	Push on outlet
-PA	Pennsylvania Steel Act compliant product
T	Threaded outlet (2", 3", 4")
X	Inside caulk outlet
-Y	Non-adjustable top
-Z	Extended wide elastomeric flange
T	Threaded outlet (2", 3", 4")
-Y	Non-adjustable top
X	Inside caulk outlet
-Z	Extended wide elastomeric flange

CALIFORNIA PROPOSITION 65 WARNING. This product contains chemicals known to the State of California to cause cancer and birth defects or other reproductive harm.

Job Name: _____ Page No: _____

Section No: _____ Contractor: _____

Schedule No: _____ Purchase Order No: _____