

Location: \_\_\_\_\_

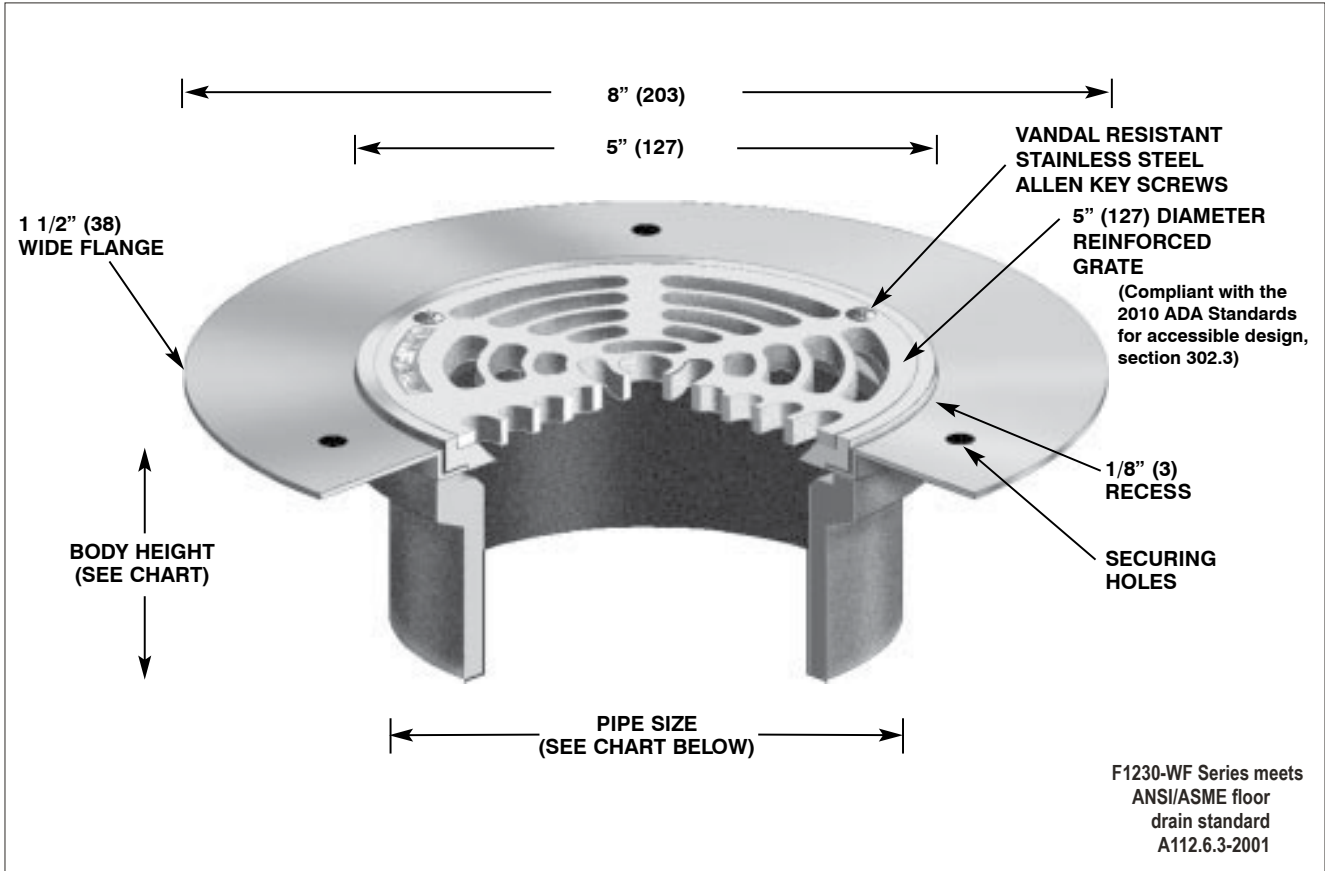


# F1230-WF

## WOOD DECK FLOOR DRAIN

**Specification:** MIFAB® Series F1230-WF lacquered cast iron wood floor drain with 1 1/2" (38) wide securing flange, and standard, 5" (127) diameter (specify material finish) strainer

**Function:** Used in showers, kitchens, restrooms and other non-membrane finished areas. Round strainer is used with all types of finished floors. Shallow depth body is ideal for shallow pour applications. 1 1/2" wide flange is ideal to secure drain to wood decks.



STRAINER DIAMETER	ANSI/ASME RATING				PIPE SIZE	BODY HEIGHT		
	FREE AREA	LOAD RATING				CAST IRON BODY (-50)	NICKEL BRONZE BODY (-1)	PVC/ABS (-30)/(-31)
		N.B. (-1)	S.S. (-3)	D.I. (-4)				
5" (127)	8 in <sup>2</sup> (5200 <sup>2</sup> )	UP TO 2,000 LBS.	5000-7499 LBS.	5,000-7,499 LBS.	2" (51)	2 1/2" (64)	2 1/2" (64)	2 15/16" (75)
					3" (76)	2 1/2" (64)	2 1/2" (64)	2 15/16" (75)
					4" (102)	2 1/2" (64)	2 1/2" (64)	2 15/16" (75)

**SUFFIX    OPTIONAL VARIATIONS**

- 1    Nickel bronze strainer
- 3    Stainless steel grate
- 4    Ductile iron grate (5" x 8" only)
- 5    Sediment bucket
- 6    Security screws (T-20 Torx & pin)
- 8    Backwater valve (2", 3", 4")
- 11    Acid resistant epoxy coated body
- 30    PVC socket connection body
- 31    ABS socket connection body
- 49    Chrome Plated Strainer

**SUFFIX    OPTIONAL VARIATIONS**

- 50    Lacquered cast iron funnel
- 95    Client logo
- BA    Buy American Act compliant product
- F4    4" Round funnel
- F6    6" Round funnel
- G    Oval 4" x 9" funnel
- J    6" x 3" x 1" funnel
- MG    MI-GARD Floor Drain Trap Sealer (2", 3" or 4")
- PA    Pennsylvania Steel Act compliant product

Job Name: \_\_\_\_\_ Page No: \_\_\_\_\_

Section No: \_\_\_\_\_ Contractor: \_\_\_\_\_

Schedule No: \_\_\_\_\_ Purchase Order No: \_\_\_\_\_