

Location: _____

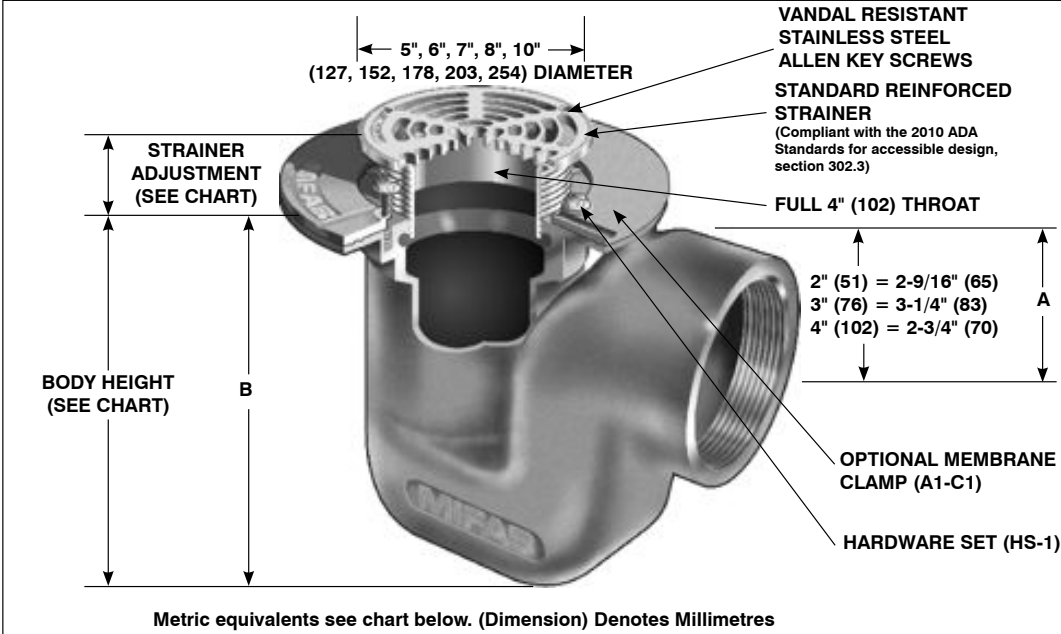


F1120

FLOOR DRAIN WITH INTEGRAL DEEP SEAL TRAP

Specification: MIFAB® Series F1120 lacquered cast iron floor drain with anchor flange, integral deep seal trap, and standard reinforced (specify diameter), (specify material finish) strainer. (For membrane floors, use MIFAB F1120-C Series.)

Function: Used in showers, kitchens, restrooms and other non-membrane finished areas where side outlet body with integral deep seal trap is required. Round adjustable strainer is used for all types of poured finished floors.



PARTS:

F1120(*)
(*) Denotes Outlet Size

(*)-(**)
(*) Denotes Strainer Diameter (5", 6", 7", 8" or 10")
(**) Denotes Strainer Finish (-1, -3 or -4)

F1120 Series meets ANSI-ASME floor drain standard A112.6.3-2001

STRAINER DIAMETER	STRAINER ADJUSTMENT		ANSI/ASME RATING			PIPE SIZE	BODY HEIGHT		
			FREE AREA	LOAD RATING			A	B	
				N.B. (-1)	S.S. (-3)				D.I. (-4)
5" (127)	1/2" (13)	1 1/2" (38)	8 in ² (5200 ²)	UP TO 2,000 LBS.	5000-7499 LBS.	UP TO 7,499 LBS.	2 1/4" (57)	5 3/16" (132)	
6" (152)	11/16" (17)	1 1/2" (38)	9 in ² (5800 ²)	UP TO 2,000 LBS.	5000-7499 LBS.	--	2 1/2" (67)	5 3/16" (132)	
7" (178)	9/16" (14)	1 9/16" (40)	12 in ² (7700 ²)	UP TO 2,000 LBS.	5000-7499 LBS.	--	2 3/4" (70)	7 3/8" (187)	
8" (203)	11/16" (17)	2 1/4" (57)	18 in ² (11600 ²)	UP TO 2,000 LBS.	5000-7499 LBS.	UP TO 10000 LBS.			
10" (254)	11/16" (17)	2 1/4" (57)	26 in ² (17170 ²)	--	5000-7499 LBS.	--			

- SUFFIX OPTIONAL VARIATIONS**
- 1 Nickel bronze strainer
 - 3 Stainless steel strainer
 - 4 Ductile iron grate (5" x 8" only)
 - 5 Sediment bucket
 - 6 Security screws (T-20 Torx & pin)
 - 7 1/2" trap seal primer connection
 - 8 Backwater valve (2", 3", 4")
 - 11 Acid resistant epoxy coated body
 - 13 Galvanized body
 - 15 Extension
 - 16 Square top
 - 21 Secondary flat stainless steel strainer (2", 3", 4")
 - 34 Closure plug
 - 49 Chrome Plated Strainer
 - 50 Lacquered cast iron funnel
 - 90 Threaded side outlet (2", 3", 4") (cast iron only)
 - 90NH No hub side outlet (2", 3", 4") (cast iron only)

- SUFFIX OPTIONAL VARIATIONS**
- 95 Client logo
 - BA Buy American Act compliant product
 - C Membrane clamp for low roughin (min. 1/2" (13))
 - C2 High rough-in membrane clamp (min. 1 9/16" (40))
 - F4 4" Round funnel
 - F6 6" Round funnel
 - (Standard) No hub outlet
 - G Oval 4" x 9" funnel
 - HP Heel proof grate (1/4" maximum grate opening size, -3 only)
 - J 6" x 3" x 1" funnel
 - MG MI-GARD Floor Drain Trap Sealer (2", 3" or 4")
 - NH No hub side outlet
 - PA Pennsylvania Steel Act compliant product
 - T Threaded outlet (2", 3", 4")
 - Z Extended wide elastomeric flange

Job Name: _____ Page No: _____

Section No: _____ Contractor: _____

Schedule No: _____ Purchase Order No: _____