

Location: _____

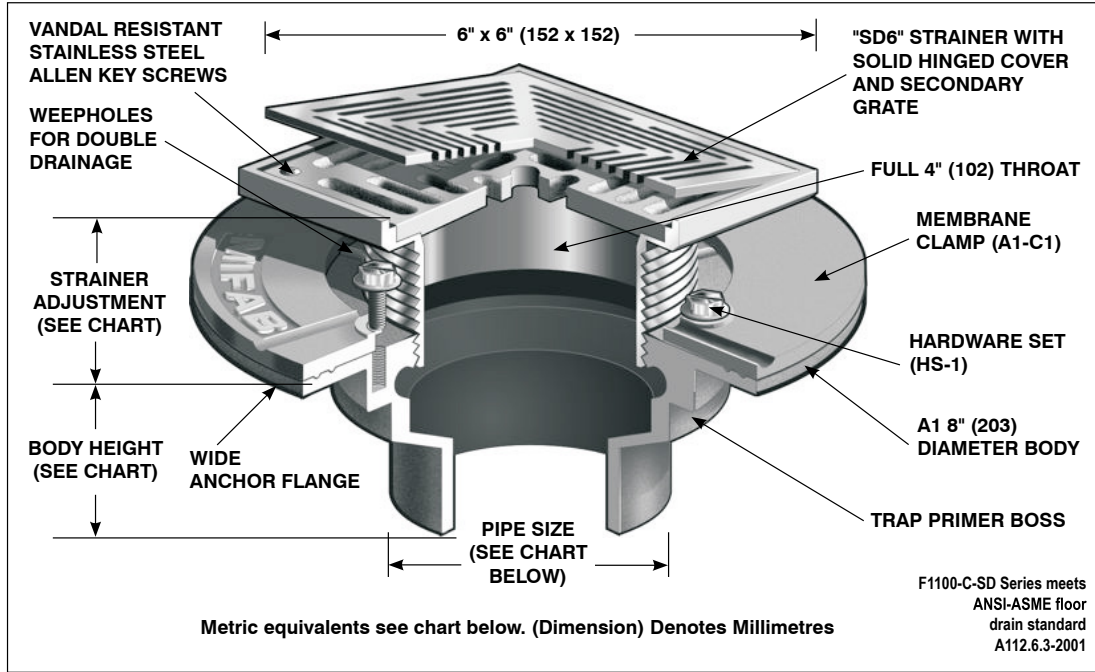


F1100-C-SD


SQUARE FLOOR DRAIN FOR MEMBRANE FLOOR AREAS

Specification: MIFAB® Series F1100-C-SD lacquered cast iron floor drain with anchor flange, cast iron membrane clamp ring with primary and secondary weepholes for waterproofing membrane, and standard reinforced, ("SD6") square 6" x 6" (152 x 152) (specify material finish) strainer with solid hinged cover and secondary grate. (For non-membrane floors, use MIFAB F1100-SD Series.)


Function: Used in showers, kitchens, restrooms and other membrane finished areas where infrequent drain use is required. The solid cover prevents debris from entering the drain which should be cleaned up before washdown. Square adjustable strainer is used for floors that are finished of material or straight line patterns. Membrane clamp is provided to secure the waterproofing membrane.



PARTS:




A1 BODY



SD6-(*)
(* Denotes Strainer Finish (-1 or -3))



A1-C1



HS-1

F1100-C-SD Series meets ANSI-ASME floor drain standard A112.6.3-2001

Metric equivalents see chart below. (Dimension) Denotes Millimetres

STRAINER SIZE	STRAINER ADJUSTMENT		ANSI/ASME RATING		PIPE SIZE	BODY HEIGHT				
	MIN	MAX	FREE AREA	LOAD RATING N.B. (-1)		NO HUB (STANDARD)	PUSH ON (P)	THREADED (T)	INSIDE CAULK (X)	PVC/ABS (-30)/(-31)
6" x 6" (152 x 152)	15/16" (24)	1 7/8" (48)	12 in ² (7700 ²)	UP TO 2,000 LBS.	2" (51)	3" (76)	3 3/8" (86)	2 1/4" (57)	3 3/4" (95)	2 15/16" (75)
					3" (76)	3" (76)	3 3/8" (86)	2 5/8" (67)	3 3/4" (95)	3 3/4" (95)
					4" (102)	3" (76)	3 3/8" (86)	2 5/8" (67)	3 3/4" (95)	3 3/4" (95)
					5" (127)	3" (76)	--	2 5/8" (67)	3 3/4" (95)	--
					6" (152)	3 1/4" (83)	6 1/2" (165)	--	--	--

- SUFFIX OPTIONAL VARIATIONS**
- 1 Nickel bronze strainer
 - 3 Stainless steel strainer (vener for 9")
 - 5 Sediment bucket
 - 6 Security screws (T-20 Torx & pin)
 - 7 1/2" trap seal primer connection
 - 8 Backwater valve (2", 3", 4")
 - 11 Acid resistant epoxy coated body
 - 13 Galvanized body
 - 15 Extension
 - 21 Secondary flat stainless steel strainer (2", 3", 4")
 - 28 Stainless steel body (Type 304)
 - 30 PVC socket connection body
 - 31 ABS socket connection body
 - 34 Closure plug

- SUFFIX OPTIONAL VARIATIONS**
- 40 Underdeck clamp
 - 41 Sump receiver
 - 90 Threaded side outlet (2", 3", 4") (cast iron only)
 - 90NH No hub side outlet (2", 3", 4") (cast iron only)
 - 95 Client logo
 - BA Buy American Act compliant product
 - C2 High rough-in membrane clamp (min. 1 9/16" (40) (Standard) No hub outlet
 - MG MI-GARD Floor Drain Trap Sealer (2", 3" or 4")
 - P Push on outlet
 - PA Pennsylvania Steel Act compliant product
 - T Threaded outlet (2", 3", 4")
 - X Inside caulk outlet
 - Z Extended wide elastomeric flange

CALIFORNIA PROPOSITION 65 WARNING. This product contains chemicals known to the State of California to cause cancer and birth defects or other reproductive harm.

Job Name: _____ Page No: _____
 Section No: _____ Contractor: _____
 Schedule No: _____ Purchase Order No: _____