

Location: _____



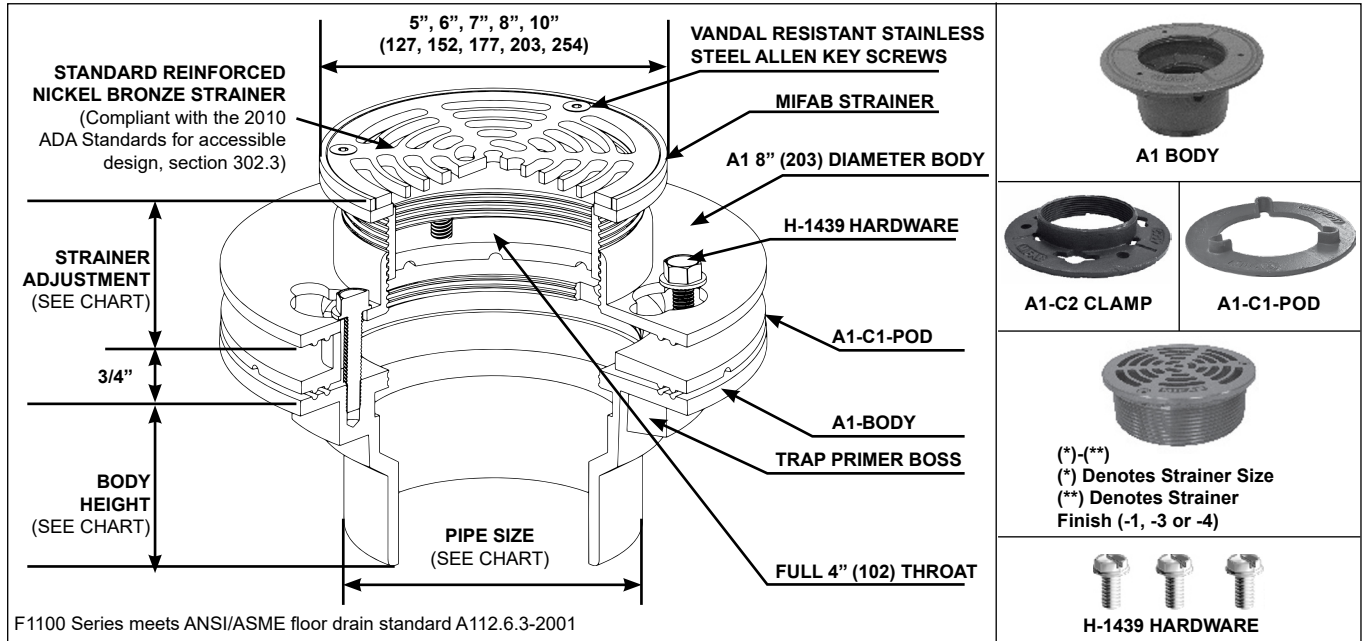
F1100-C-POD

PODIUM DRAINS

Specification: MIFAB® Series F1100 (*)-1 (* specify strainer diameter) lacquered cast iron floor drain with anchor flange, high rough-in membrane clamp, drain clamp and standard satin finished nickel bronze strainer with vandal resistant stainless steel allen key screws.

Function: Used at grade level, below grade level and for pet relief areas. MIFAB's podium drain system allows full unrestricted drain flow of water off the drain board into the sump of the drain body while properly securing the membrane around the entire body (not just at some anchor points) - providing 100% clamping of the membrane around the drain opening. The installer typically has the option of trimming out the strainer to finish grade or below the pavers.

"Monarch Mechanical prefers the simplicity and functionality of MIFAB drains second to none. The fact that the bodies can be used for multiple drainage applications really helps take the guess out of the installation for podiums. We are able to install one drain body for planter and/or area drainage requirements. The podium system clamping rings allows for full flow below the topping slab or pavers, this limits backups and potential service calls as well as providing an all-around functional drainage solution at podiums."
 - Vince Ramos, Monarch Mechanical Plumbing GM



F1100 Series meets ANSI/ASME floor drain standard A112.6.3-2001

STRAINER DIAMETER	STRAINER ADJUSTMENT		FREE AREA	ANSI/ASME RATING		PIPE SIZE	BODY HEIGHT				
	MIN	MAX		LOAD RATING			NO HUB (STANDARD)	PUSH ON (P)	THREADED (T)	INSIDE CAULK (X)	PVC/ABS (-30)/(-31)
5" (127)	1 9/16" (40)	2 11/16" (68)	8 in ² (52002)	Up To 2000 Lbs.	Up To 2000 Lbs.	2" (51)	3" (76)	3 3/8" (86)	2 1/4" (57)	3 3/4" (95)	2 15/16" (75)
6" (152)	1 11/16" (43)	2 5/8" (67)	9 in ² (58002)	Up To 2000 Lbs.	-	3" (76)	3" (76)	3 3/8" (86)	2 5/8" (67)	3 3/4" (95)	3 3/4" (95)
7" (177)	1 1/2" (38)	2 5/8" (67)	12 in ² (77002)	Up To 2000 Lbs.	-	4" (102)	3" (76)	3 3/8" (86)	2 5/8" (67)	3 3/4" (95)	3 3/4" (95)
8" (203)	1 7/8" (48)	2 3/4" (70)	18 in ² (116002)	Up To 2000 Lbs.	Over 10000 Lbs.	5" (127)	3" (76)	--	2 5/8" (67)	3 3/4" (95)	--
10" (254)	1 7/8" (48)	2 3/4" (70)	26 in ² (171702)	Up To 2000 Lbs.	-	6" (152)	3 1/4" (83)	6 1/2" (165)	--	--	--

SUFFIX	OPTIONAL VARIATIONS
-1	Nickel bronze strainer (standard)
-2	Polished brass strainer (5" only)
-3	Stainless steel strainer
-4	Ductile iron strainer (5", 8" only)
-5	Sediment bucket
-6	Security screws (T-20 Torx & pin)
-7	1/2" trap seal primer connection
-8	Backwater valve (2", 3", 4")
-11	Acid resistant epoxy coated body
-13	Galvanized body
-15	Extension
-21	Secondary flat stainless steel strainer (2", 3", 4")
-30	PVC socket connection body
-31	ABS socket connection body
-34	Closure plug
-40	Underdeck clamp
-41	Sump receiver

-49	Chrome plated strainer
-50	Lacquered cast iron funnel
-90	Threaded side outlet (2", 3", 4") (cast iron only)
-90NH	No hub side outlet (2", 3", 4") (cast iron only)
-95	Client logo
-BA	Buy American Act compliant product
-F4	4" Round funnel
-F6	6" Round funnel
-G	Oval 4" x 9" funnel
-HP	Heel proof grate (1/4" maximum grate opening size, -3 only)
-J	6" x 3" x 1" funnel
-MG	MI-GARD Floor Drain Trap Sealer (2", 3" or 4")
P	Push on outlet
-PA	Pennsylvania Steel Act compliant product
T	Threaded outlet (2", 3", 4")
X	Inside caulk outlet
-Z	Extended wide elastomeric flange

CALIFORNIA PROPOSITION 65 WARNING: This product contains chemicals known to the State of California to cause cancer and birth defects or other reproductive harm.

Job Name: _____ Page No: _____
 Section No: _____ Contractor: _____
 Schedule No: _____ Purchase Order No: _____