

Location: _____

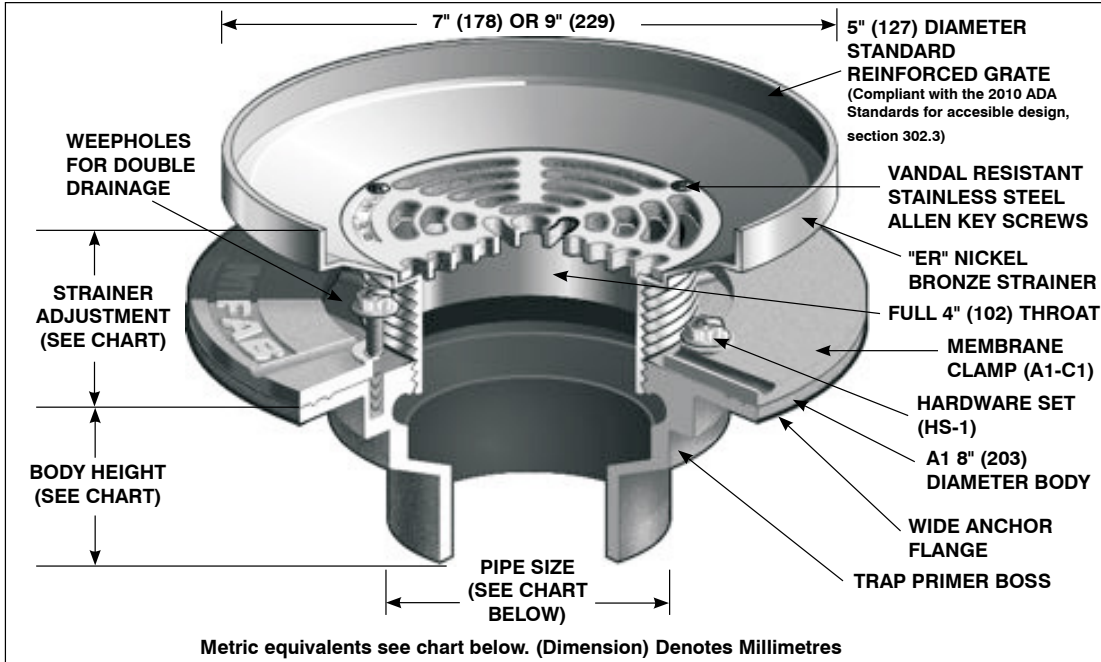


F1100-C-ER


EXTENDED RIM FLOOR DRAIN FOR MEMBRANE FLOOR AREAS

Specification: MIFAB® Series F1100-C-ER()-1 lacquered cast iron floor drain with anchor flange, cast iron membrane clamp ring with primary and secondary weepholes for waterproofing membrane, and extended rim (specify diameter), satin finished nickel bronze strainer with vandal resistant, stainless steel allen key screws. (For non-membrane floors, use MIFAB F1100-ER Series.)


Function: Used in restaurants, hospitals, industrial laboratories, and other membrane finished areas where indirect waste lines above the floor drip condensate or waste water and there is no room for a funnel. The extended rim permits use as an anti-flood and anti splash drip pan. Membrane clamp is provided to secure the waterproofing membrane.




PARTS:




A1 BODY



ER(*)
(*) Denotes Strainer Finish (-1, -3 or 50)



A1-C1



HS-1

F1100-C-ER Series meets ANSI-ASME floor drain standard A112.6.3-2001

STRAINER DIAMETER	STRAINER ADJUSTMENT		PIPE SIZE	BODY HEIGHT				
	MIN	MAX		NO HUB (STANDARD)	PUSH ON (P)	THREADED (T)	INSIDE CAULK (X)	PVC/ABS (-30)/(-31)
7" (178)	1 3/4" (44)	2 5/8" (67)	2" (51)	3" (76)	3 3/8" (86)	2 1/4" (57)	3 3/4" (95)	2 15/16" (75)
9" (229)	1 3/4" (44)	2 5/8" (67)	3" (76)	3" (76)	3 3/8" (86)	2 5/8" (67)	3 3/4" (95)	3 3/4" (95)
			4" (102)	3" (76)	3 3/8" (86)	2 5/8" (67)	3 3/4" (95)	3 3/4" (95)
			5" (127)	3" (76)	--	2 5/8" (67)	3 3/4" (95)	--
			6" (152)	3 1/4" (83)	6 1/2" (165)	--	--	--

SUFFIX	OPTIONAL VARIATIONS
-1	Nickel bronze strainer (standard)
-3	Stainless steel strainer
-5	Sediment bucket
-6	Security screws (T-20 Torx & pin)
-7	1/2" trap seal primer connection
-8	Backwater valve (2", 3", 4")
-11	Acid resistant epoxy coated body
-13	Galvanized body
-15	Extension
-21	Secondary flat stainless steel strainer (2", 3", 4")
-28	Stainless steel body (Type 304)
-30	PVC socket connection body
-31	ABS socket connection body
-34	Closure plug

SUFFIX	OPTIONAL VARIATIONS
-40	Underdeck clamp
-41	Sump receiver
-50	Lacquered cast iron funnel for unfinished areas
-90	Threaded side outlet (2", 3", 4") (cast iron only)
-90NH	No hub side outlet (2", 3", 4") (cast iron only)
-95	Client logo
-BA	Buy American Act compliant product
-C2	High rough-in membrane clamp (min. 1 9/16" (40))
(Standard)	No hub outlet
-MG	MI-GARD Floor Drain Trap Sealer (2", 3" or 4")
P	Push on outlet
-PA	Pennsylvania Steel Act compliant product
T	Threaded outlet (2", 3", 4")
X	Inside caulk outlet
-Z	Extended wide elastomeric flange

CALIFORNIA PROPOSITION 65 WARNING. This product contains chemicals known to the State of California to cause cancer and birth defects or other reproductive harm.

Job Name: _____ Page No: _____

Section No: _____ Contractor: _____

Schedule No: _____ Purchase Order No: _____