

Location: _____

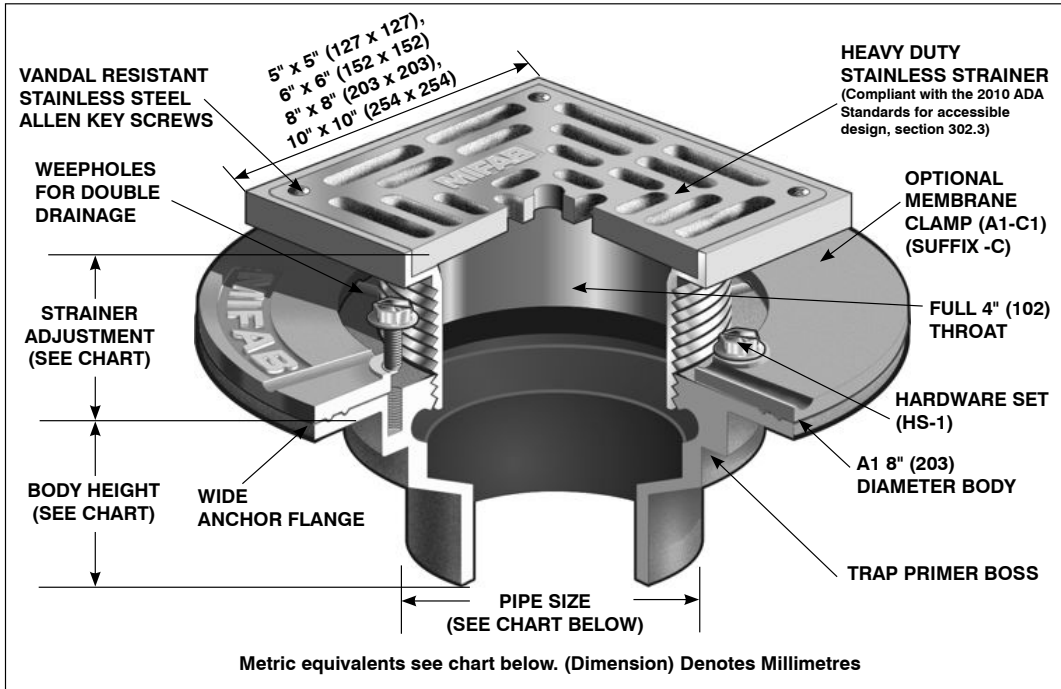


F1000-S

FLOOR DRAIN WITH HEAVY DUTY SQUARE STAINLESS STEEL STRAINER

Specification: MIFAB® Series F1000-S(*)-3 (* specify strainer size) lacquered cast iron floor drain with anchor flange, weepholes, and standard heavy duty square polished stainless steel strainer. (For membrane floors, add -C to Series number).

Function: Used in showers, kitchens, restrooms, and other non-membrane finished areas. Square adjustable stainless steel strainer is used for floors that are finished of material or straight line patterns.



PARTS:



A1 BODY



(*) -3
(*) Denotes Strainer Size

F1000-S Series meets ANSI-ASME floor drain standard A112.6.3-2001

STRAINER SIZE	STRAINER ADJUSTMENT		ANSI/ASME RATING		PIPE SIZE	BODY HEIGHT				
			FREE AREA	LOAD RATING LBS. S.S. (-3)		NO HUB (STANDARD)	PUSH ON (P)	THREADED (T)	INSIDE CAULK (X)	PVC/ABS (-30)/(-31)
	MIN	MAX								
5"x5" (127)	5/8" (15)	1 9/16" (40)	9 in ² (5800 ²)	5000-7499	2" (51)	3" (76)	3 3/8" (86)	2 1/4" (57)	3 3/4" (95)	2 15/16" (75)
6"x6" (152)	7/8" (22)	1 9/16" (40)	12 in ² (7700 ²)	5000-7499	3" (76)	3" (76)	3 3/8" (86)	2 5/8" (67)	3 3/4" (95)	3 3/4" (95)
8"x8" (203)	1 1/4" (32)	2 3/16" (56)	26 in ² (16800 ²)	5000-7499	4" (102)	3" (76)	3 3/8" (86)	2 5/8" (67)	3 3/4" (95)	3 3/4" (95)
10"x10" (254)	1 1/4" (32)	2 3/16" (56)	28 in ² (19913 ²)	5000-7499	5" (127) 6" (152)	3" (76) 3 1/4" (83)	-- 6 1/2" (165)	2 5/8" (67) --	3 3/4" (95) --	-- --

SUFFIX OPTIONAL VARIATIONS

- 3 Stainless steel strainer
- 5 Sediment bucket
- 6 Security screws (T-20 Torx & pin)
- 7 1/2" trap seal primer connection
- 8 Backwater valve (2", 3", 4")
- 11 Acid resistant epoxy coated body
- 13 Galvanized body
- 15 Extension
- 21 Secondary flat stainless steel strainer (2", 3", 4")
- 28 Stainless steel body (Type 304)
- 30 PVC socket connection body
- 31 ABS socket connection body
- 34 Closure plug
- 40 Underdeck clamp
- 41 Sump receiver
- 90 Threaded side outlet (2", 3", 4")

SUFFIX OPTIONAL VARIATIONS

- 90NH No hub side outlet (2", 3", 4")
- 95 Client logo
- BA Buy American Act compliant product
- C Membrane clamp for low rough-in (min. 1/2" (13))
- C2 High rough-in membrane clamp (min. 1 9/16" (40))
- F4 4" Round funnel
- F6 6" Round funnel
- G Oval 4" x 9" funnel
- HP Heel proof grate (1/4" maximum grate opening size, -3 only)
- J 6" x 3" x 1" funnel
- MG MI-GARD Floor Drain Trap Sealer (2", 3" or 4")
- P Push on outlet
- PA Pennsylvania Steel Act compliant product
- T Threaded outlet (2", 3", 4")
- X Inside caulk outlet
- Z Extended wide elastomeric flange

CALIFORNIA PROPOSITION 65 WARNING. This product contains chemicals known to the State of California to cause cancer and birth defects or other reproductive harm.

Job Name: _____ Page No: _____
 Section No: _____ Contractor: _____
 Schedule No: _____ Purchase Order No: _____