

Location: _____



CAD-DW

**CEILING OR WALL ACCESS DOOR
WITH DRYWALL BEAD**

Specification: MIFAB® Series CAD-DW recessed access door is designed for use in acoustical, drywall, or tiled surfaces. The door panel is recessed 5/8" (15) to allow the insertion of various types of material. The outer frame has a galvanized drywall taping bead. Drywall cement can be applied over the beading at the same time as the wallboard joints and corners. It has a unique light color finish.

Material: CAD-DW Series is 16 gauge satin coat steel door and 16 gauge satin coat steel frame.
The CAD-DWSS is 16 gauge #304 stainless steel door and frame.

Finish: Satin coat steel doors have a primed finish. Stainless steel doors have a #4 brush satin finish.

Door: Recessed 5/8" (15) door panel to accept tile, drywall or other finishing materials.

Frame: Drywall corner bead on all sides.

Hinge: Concealed pivot pins.

Latch: Standard – Flush mounted, screwdriver operated cam. Optional – Allen key, cylinder key, or vandal resistant latch. All of MIFAB's cylinder key locks are keyed alike.

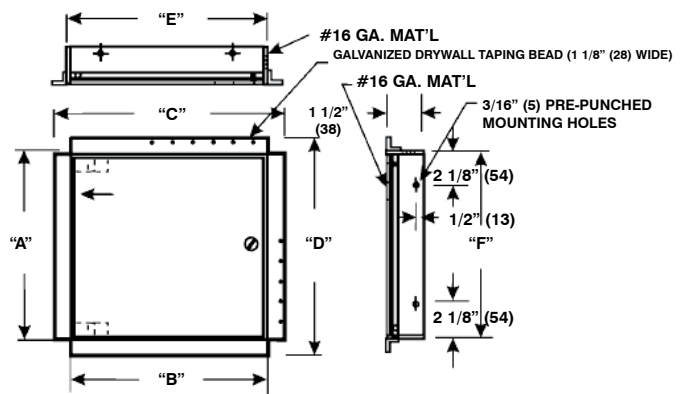
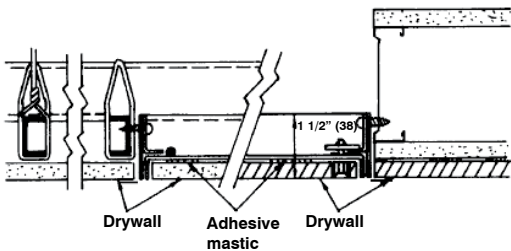
Packaging: Individual pack.



A-B Recess - Door Size - Minus 3/16" (4)

C-D Overall Dimensions - Door Size - Plus 2 1/4" (57)

E-F Wall Opening - Door Size - Plus 3/8" (9)



"B" x "A"	WALL OPENING	SHIP WEIGHT (Lbs.)	LATCHES	MILD STEEL MODEL #	STAINLESS STEEL MODEL #
8" x 8"	8 3/16" x 8 3/16"	5.0	1	CAD-DW0808	CAD-DWSS0808
12" x 12"	12 3/16" x 12 3/16"	7.5	1	CAD-DW1212	CAD-DWSS1212
12" x 24"	12 3/16" x 24 3/16"	13.0	2	CAD-DW1224	CAD-DWSS1224
14" x 14"	14 3/16" x 14 3/16"	9.5	2	CAD-DW1414	CAD-DWSS1414
16" x 16"	16 3/16" x 16 3/16"	11.5	2	CAD-DW1616	CAD-DWSS1616
18" x 18"	18 3/16" x 18 3/16"	13.0	3	CAD-DW1818	CAD-DWSS1818
24" x 24"	24 3/16" x 24 3/16"	19.5	4	CAD-DW2424	CAD-DWSS2424
24" x 36"	24 3/16" x 36 3/16"	23.0	5	CAD-DW2436	CAD-DWSS2436

SUFFIX	OPTIONAL VARIATIONS
-A	Allen key lock
-BA	Minimum 51% material cost made in the USA
-C	Cylinder key lock
-PA	Pennsylvania Steel Act compliant product
-VP	Vandal resistant hardware (VP Screwdriver included)
-WR	Water Resistant

(Dimension) Denotes Millimetres

NOTE: The hinge is always furnished on the "A" or height (longer) dimension, unless otherwise specified.

CALIFORNIA PROPOSITION 65 WARNING. This product contains chemicals known to the State of California to cause cancer and birth defects or other reproductive harm.

Job Name: _____
 Section No: _____
 Schedule No: _____

Page No: _____
 Contractor: _____
 Purchase Order No: _____