

Location: _____

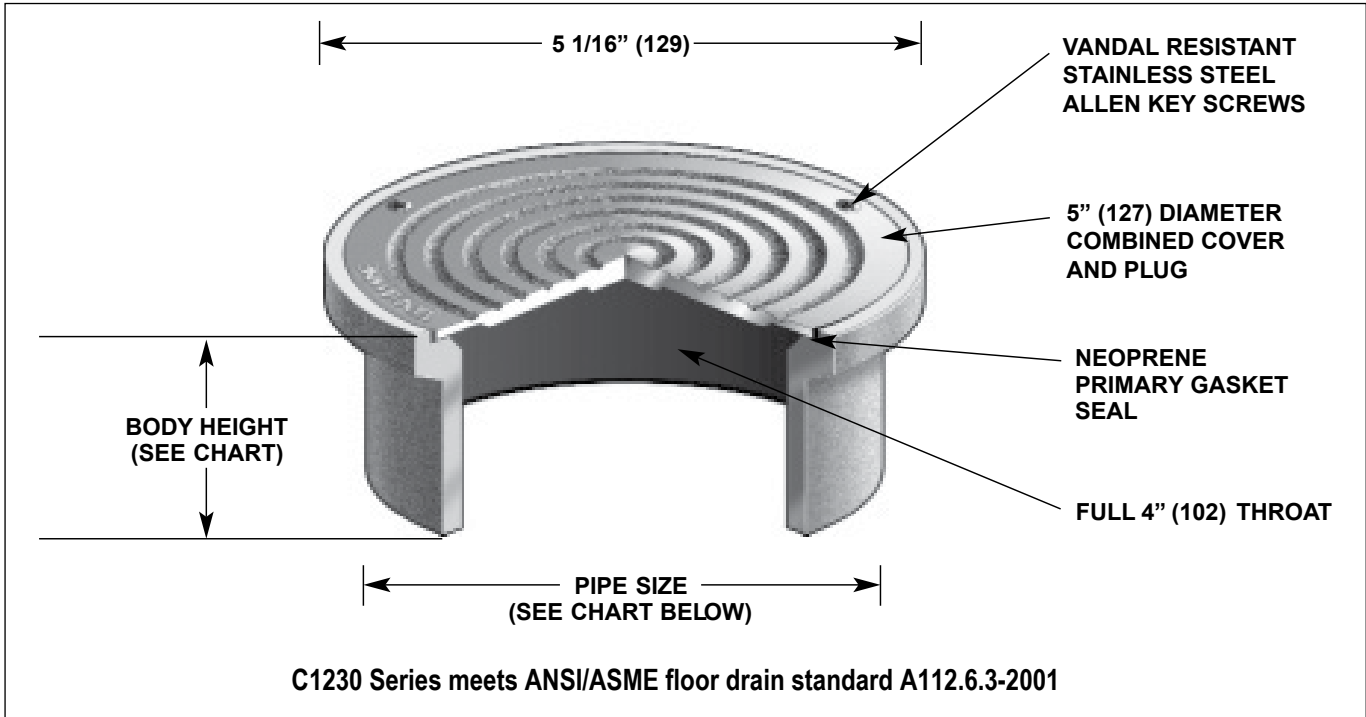


C1230

LINE OR FLOOR CLEANOUT

Specification: MIFAB C1230 Series lacquered cast iron cleanout ferrule with ½" (13) thick gasketed combined ductile iron cover and plug.

Function: Used in finished floors to provide emergency access to the plumbing lines for removal of blockages. Cleanout has a non-adjustable top.



6" and 8" cover/plug diameter for 6" and 8" outlet connections.

COVER/PLUG DIAMETER	ANSI/ASME RATING		PIPE SIZE	BODY HEIGHT			
	LOAD RATING			CAST IRON BODY (NO HUB OUTLET)	NICKEL BRONZE BODY (-1)	PVC/ABS (-30)/(-31)	CAST IRON BODY (PUSH ON OUTLET)
	N.B. (-1) Lbs.	D.I. (-4) Lbs.					
5" (127)	Up to 4,999	5,000 to 7,499	2" (51)	2 3/16" (56)	2 3/16" (56)	2 5/8" (67)	—
			3" (76)	2 3/16" (56)	2 3/16" (56)	2 5/8" (67)	—
			4" (102)	2 3/16" (56)	2 3/16" (56)	2 5/8" (67)	3"
			6" (152)	3 1/2" (89)	—	—	—
			8" (203)	3 1/2" (89)	—	—	—

Suffix	Description
-1	Nickel bronze cover/plug
-4	Ductile iron cover/plug
-6	Security screws (TR25 Torx & pin)
-11	Acid resistant epoxy coated body
-13	Galvanized body
-30	PVC socket connection body

-31	ABS socket connection body
-95	Special marking etched into top (SAN for sanitary or GW for Grease Waste)
-BA	Buy American Act compliant product
P	Push on outlet (4" only)
-PA	Pennsylvania Steel Act compliant product
-Z	Extended wide elastomeric flange

CALIFORNIA PROPOSITION 65 WARNING. This product contains chemicals known to the State of California to cause cancer and birth defects or other reproductive harm.

Job Name: _____ Page No: _____
 Section No: _____ Contractor: _____
 Schedule No: _____ Purchase Order No: _____