

Location: _____

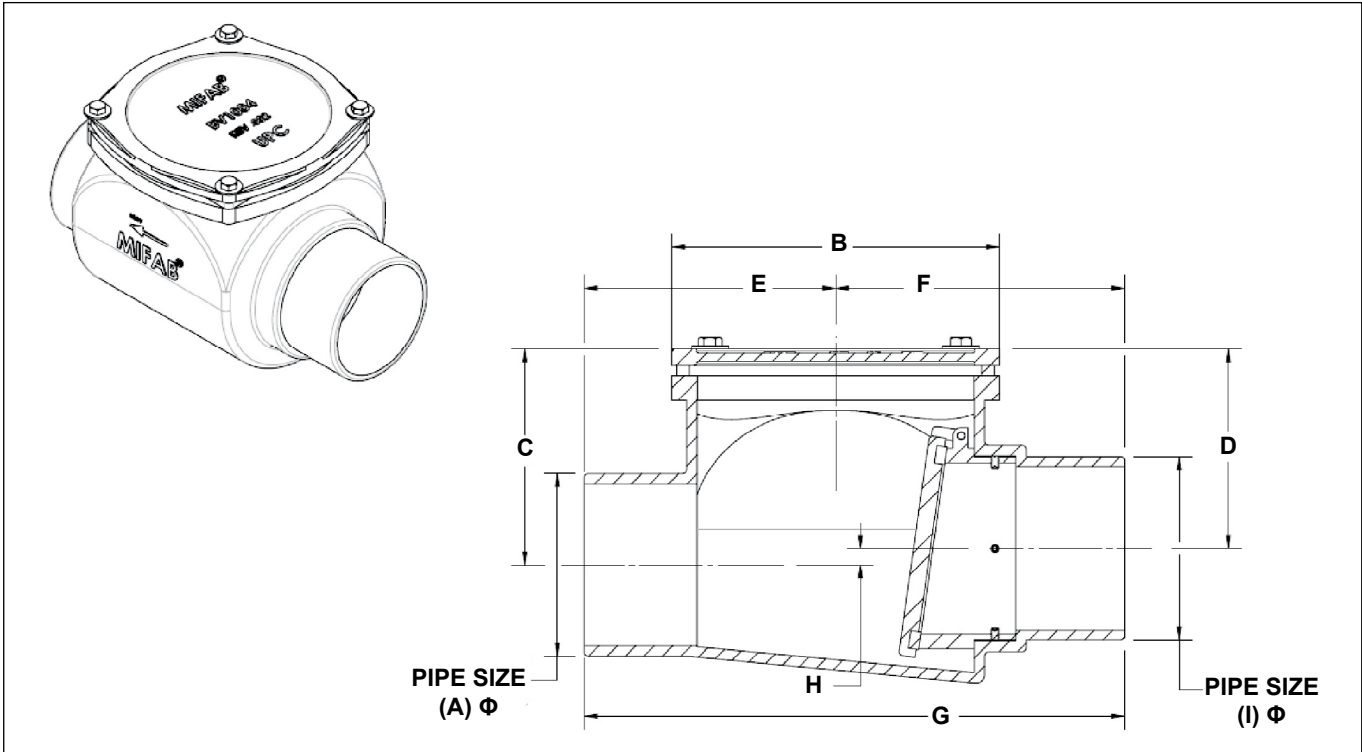


BV1000

CAST IRON HORIZONTAL BACKWATER VALVE WITH NO HUB CONNECTIONS & STAINLESS STEEL FLAPPER

Specification: MIFAB® Series BV1000 lacquered cast iron backwater valve with no hub inlet and outlet, gasketed bolted cover, and stainless steel flapper. **Note:** the 2" and 3" models have plastic flappers.

Function: Used in main branch or sewer lines to prevent backflow from the sewers. Full opening access through cover to the flapper assembly for repair and maintenance.



Note: Do not use for pressurized applications; for gravity flow only. Backflow protection is prevented when the valve is obstructed by debris or sludge; clean regularly.

MODEL #	PIPE SIZE "A"	DIM "B"	DIM "C"	DIM "D"	DIM "E"	DIM "F"	DIM "G"	DIM "H"	PIPE SIZE "I"
BV1002	2" No Hub	5-3/4"	3-1/4"	3-1/8"	4-1/4"	4-5/8"	8-7/8"	5/8"	2" No Hub
BV1003	3" No Hub	6-3/4"	4-1/8"	4-1/8"	5"	5-3/8"	10-3/8"	1/2"	3" No Hub
BV1004	4" No Hub	7-7/8"	4-5/8"	4-3/4"	6"	6-7/8"	13"	3/8"	4" No Hub
BV1006	6" No Hub	9-7/8"	6-3/8"	6-1/2"	7"	7-7/8"	14-7/8"	3/8"	6" No Hub
BV1008	8" No Hub	11-7/8"	7-3/8"	7-3/4"	8"	9"	17"	3/8"	8" No Hub
BV1010	10" No Hub	15-5/8"	8-5/8"	8-7/8"	9-7/8"	10-1/8"	20"	1/2"	10" No Hub
BV1012	12" No Hub	17-1/4"	9-1/4"	9-1/4"	10-1/8"	11-5/8"	21-3/4"	1/2"	12" No Hub
BV1015	15" No Hub	21-3/4"	11-5/8"	11-3/4"	11-3/4"	13-1/4"	25"	1/2"	15" No Hub

SUFFIX	OPTIONAL VARIATIONS
-13	All Galvanized
-BA	Minimum 51% material cost made in the USA
-PA	Pennsylvania Steel Act compliant product

CALIFORNIA PROPOSITION 65 WARNING. This product contains chemicals known to the State of California to cause cancer and birth defects or other reproductive harm.

Job Name: _____ Page No: _____
 Section No: _____ Contractor: _____
 Schedule No: _____ Purchase Order No: _____