

Location: _____



ASVB

ANTI-SIPHON VACUUM BREAKER

Specification: The Anti-Siphon Vacuum Breaker is designed to prevent the cross contamination through back siphonage of contaminated water. These devices should be installed according to local code and building plans by a licensed professional. This device is not to be used under continuous pressure or where there is a possibility of a back pressure condition.

Ratings:

Maximum Temperature 180°F (82°C); Maximum Working Pressure 125 psi (8.6 bar)

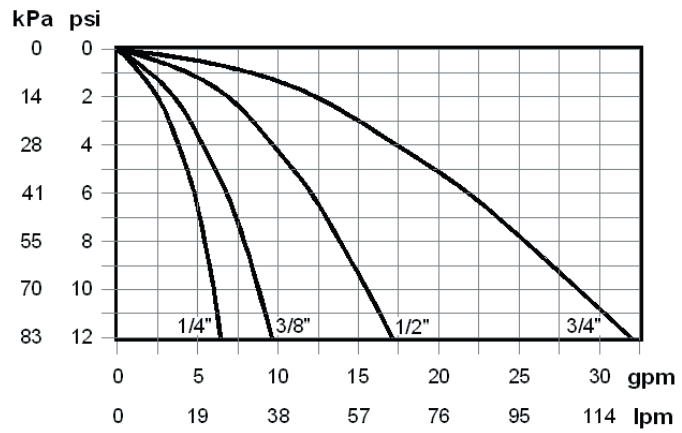
Beeco's Anti-Siphon Vacuum Breaker is designed to meet the requirements of ASSE Standard 1001, CSA B64 and ANSI A112.1.1. Device must be installed 6" above the highest point of the downstream piping. There can be no shutoff devices downstream of the ASVB.

Materials:

Brass Body: Lightweight disc made of highly engineered material to resist heat and shock, also able to close vent with minimal flow.

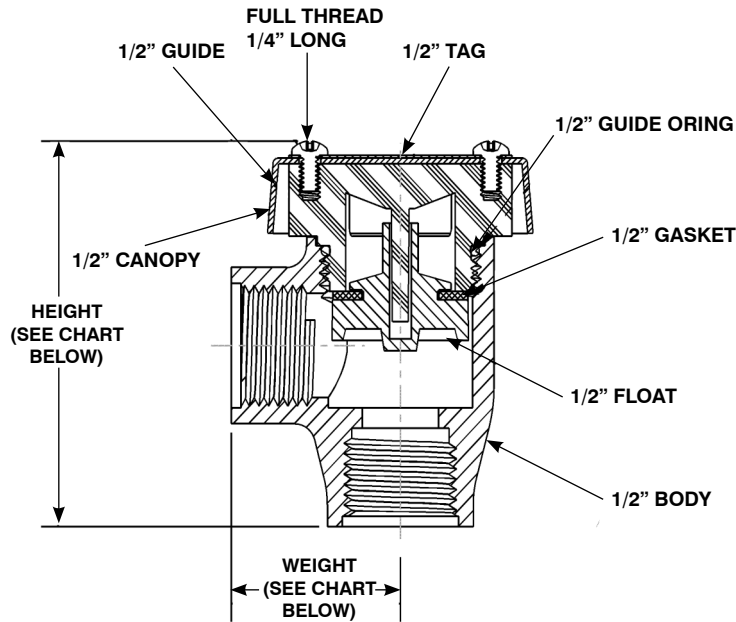
Features:

Beeco's Anti-Siphon Vacuum Breaker is designed with pipe size flow paths to minimize flow loss through the device. Available in both Brass and Polished Chrome Plated Models. Valve should be positioned for accessibility for routine maintenance.



LEAD FREE

The wetted surface of this product contacted by consumable water contains less than 0.25% of lead by weight.



Model No.	Size	Height (in)	Width (in)	Height (mm)	Width (mm)
ASVB.25	1/4"	2.34	1.00	59.50	25.40
ASVB.375	3/8"	2.34	1.00	59.50	25.40
ASVB.50	1/2"	2.66	1.25	67.63	31.75
ASVB.75	3/4"	3.00	1.50	76.14	38.10

SUFFIX **OPTIONAL VARIATIONS**
 -B Rough Brass
 -CP Polished Chrome
 -LL Low Lead (AB 1953 Compliant)

CALIFORNIA PROPOSITION 65 WARNING. This product contains chemicals known to the State of California to cause cancer and birth defects or other reproductive harm.

Job Name: _____ Page No: _____
 Section No: _____ Contractor: _____
 Schedule No: _____ Purchase Order No: _____