

Location: _____



ACV-5HF

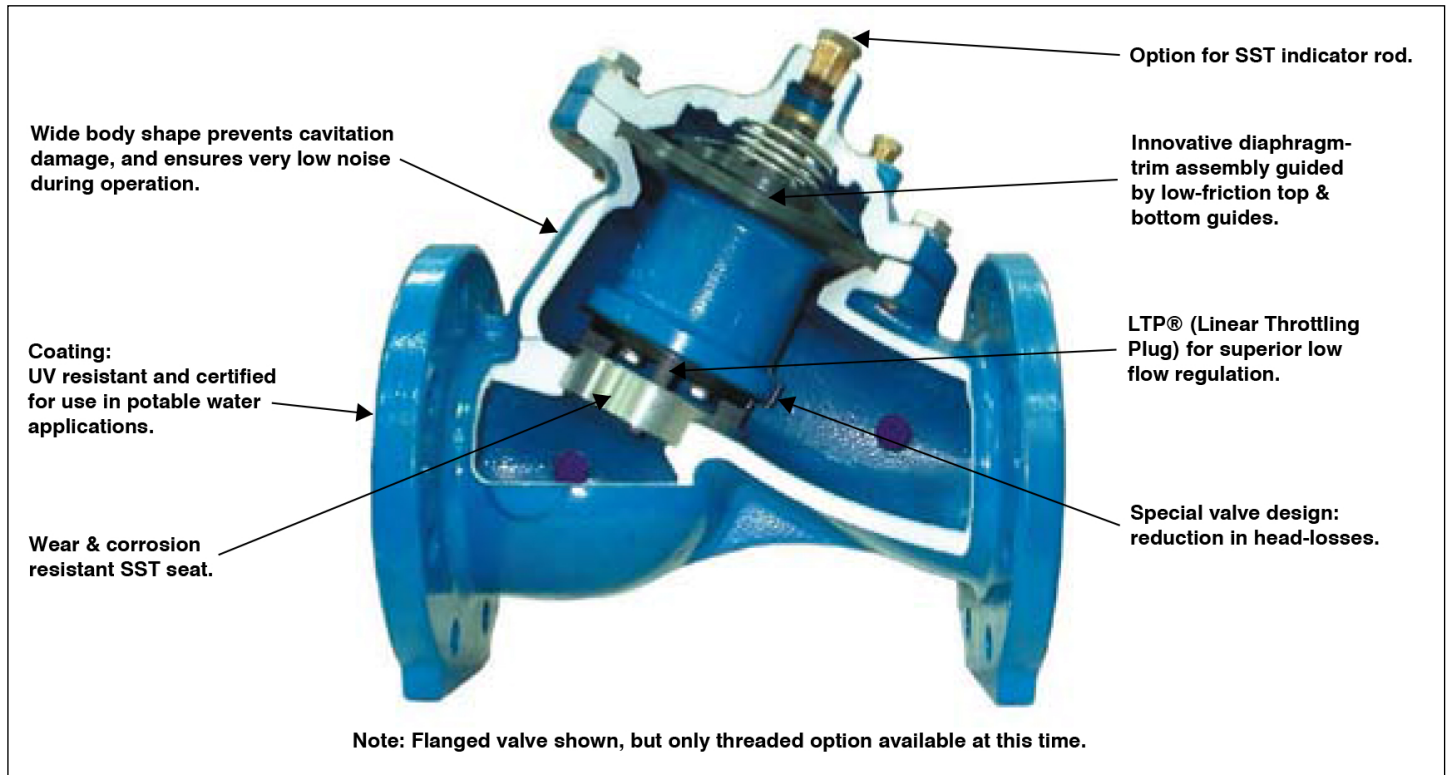
AUTOMATIC CONTROL VALVES HIGH FLOW

Specification: The Automatic Control Valve shall be a Ductile Iron Body and Cover design. The Valve shall have a resilient plug seal, guided top and bottom; Bottom guide will be vanes, sliding in a stainless steel seat arrangement, single seated line pressure operated, diaphragm actuated, pilot controlled, valve. The valve shall seal by means of a stainless steel seat. All parts are to be replaceable in the field without removing the valve from the line. All flange dimensions including face to face lengths shall conform to ISO standards.

Function: Through the interchangeability of operating pilot the Beeco ACV can be used to perform any hydraulic control function such as pressure control and regulation, flow control, water level control, remote electric control and other functions or combination of functions. During the closing procedure, the pace slows down automatically, reducing or mitigating the risk for water hammer or surges in the line.

Features: The capability to regulate “near zero” flow, as a standard feature on all sizes, achieved by the LTP (“Linear Throttling Plug”) device, completely eliminates the need for a low flow bypass valve, or internal throttling device such as a U-port or V-port. The unique bottom guide, together with the hydrodynamically designed structure, enable very low head loss in the fully open position. A standard valve model fits a wide variety of control applications using our pilot valves. An especially short face-to-face dimension, ensures maximal saving in installation space. An innovative internal trim ensures frictionless operation, easy maintenance, and high reliability. During closure, the pace slows down to prevent slamming or water surges. The series includes a position indication rod, as an optional feature, attached by a floating connection, enabling smooth movement of the indicator. Very quiet and stable operation makes the valves especially suitable for housing and residential applications. All materials are WRAS and NSF approved for potable water.

Flange Standard ANSI B16.1 Class 150, 250 PSI rating, Operating Velocity of 18 ft/sec, Water 33° F to 180° F. 350 psi rated valves are available upon request



CALIFORNIA PROPOSITION 65 WARNING. This product contains chemicals known to the State of California to cause cancer and birth defects or other reproductive harm.

Job Name: _____

Page No: _____

Section No: _____

Contractor: _____

Schedule No: _____

Purchase Order No: _____

Location: _____



ACV-5HF

AUTOMATIC CONTROL VALVES HIGH FLOW

Diameter	40mm (1 1/2")		50mm (2")		65mm (2 1/2")		80mm (3")		100mm (4")		150mm (6")		200mm (8")	
	m ³ /h	GPM	m ³ /h	GPM	m ³ /h	GPM	m ³ /h	GPM	m ³ /h	GPM	m ³ /h	GPM	m ³ /h	GPM
Nominal flow	11	50	20	80	20	80	40	180	75	325	160	705	280	1240
Max. continuous flow	25	110	40	175	40	175	100	440	160	705	350	1540	620	2730
Max. intermittent flow	35	160	55	250	55	250	145	640	225	995	510	2240	900	4000
Minimal flow	< 1 m ³ /h / GPM													
KV [m ³ /h@1bar]	45		45		45		110		175		400		620	
CV [gpm@1psi]	53		53		53		128		204		467		724	
K [dimensionless]	2		4.9		14.1		5.4		5.2		5		6.5	

Valve Size	40 Th (1 1/2")		50 Th (2")		50A Th (2")		50A F (2")		50 F (2")		65 F (2 1/2")		80 F (3")		100 F (4")		150 F (6")		200 F (8")			
	mm	inch	mm	inch	mm	inch	mm	inch	mm	inch	mm	inch	mm	inch	mm	inch	mm	inch	mm	inch		
L	202	7 15/16	202	7 15/16	156	6 1/8	193.5	7 5/8	200	7 7/8	210	8 1/4	285	11 1/4	305	12	390	15 3/8	495	19 1/2		
H	169	6 5/8	169	6 5/8	185	7 1/4	211	8 3/16	214	8 1/2	224	8 13/16	293	11 5/16	330	13	450	17 3/4	557	21 15/16		
W	116	4 3/16	116	4 3/16	115	4 1/2	165	6 1/2	165	6 1/8	185	7 1/4	200	7 7/8	220	8 1/16	285	11 1/4	386	15 3/16		
R	38	1 1/2	38	1 1/2	117	4 5/8	111	4 3/8	82.5	3 1/4	92.5	3 5/8	100	3 15/16	110	4 3/16	142.5	5 5/8	170	6 11/16		
Weight*	Kg	lbs	Kg	lbs	Kg	lbs	Kg	lbs	Kg	lbs	Kg	lbs	Kg	lbs	Kg	lbs	Kg	lbs	Kg	lbs	Kg	lbs
	4.8	10.7	4.6	10.2	5.2	11.5	9.8	21.8	9.5	21.1	12	26.6	21	46.6	26	57.7	60	133.2	118	262		

* Approximate Shipping Weight.

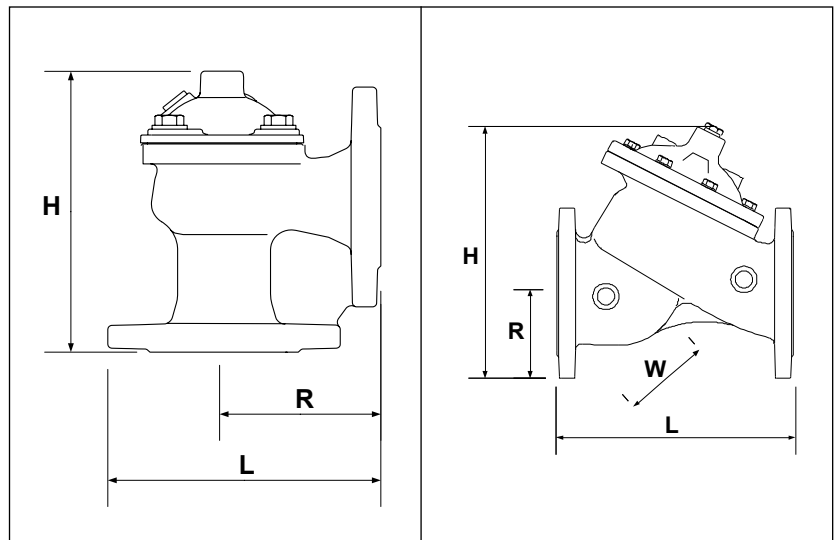
F - Flanged, Th - Threaded connections, A - Angle

MODEL NO.	SIZE
ACV1.50-5HF	1 1/2"
ACV2.00-5HF	2"
ACV2.50-5HF	2 1/2"
ACV3.00-5HF	3"
ACV4.00-5HF	4"
ACV6.00-5HF	6"
ACV8.00-5HF	8"

SUFFIX OPTIONAL VARIATIONS

- EL Electric Activated
- PR Pressure Reducing
- PRT Pressure Reducing Threaded (1-1/2" & 2" only)
- PS Pressure Sustaining
- PST Pressure Sustaining Threaded (1-1/2" & 2" only)

PR and PS models are available in the flange connection models as well.



CALIFORNIA PROPOSITION 65 WARNING. This product contains chemicals known to the State of California to cause cancer and birth defects or other reproductive harm.

Job Name: _____

Page No: _____

Section No: _____

Contractor: _____

Schedule No: _____

Purchase Order No: _____