

Location: \_\_\_\_\_

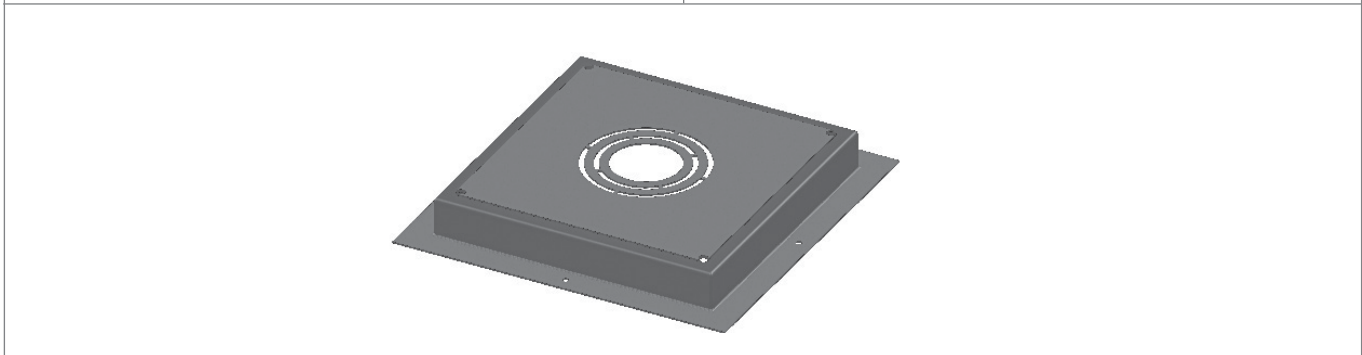
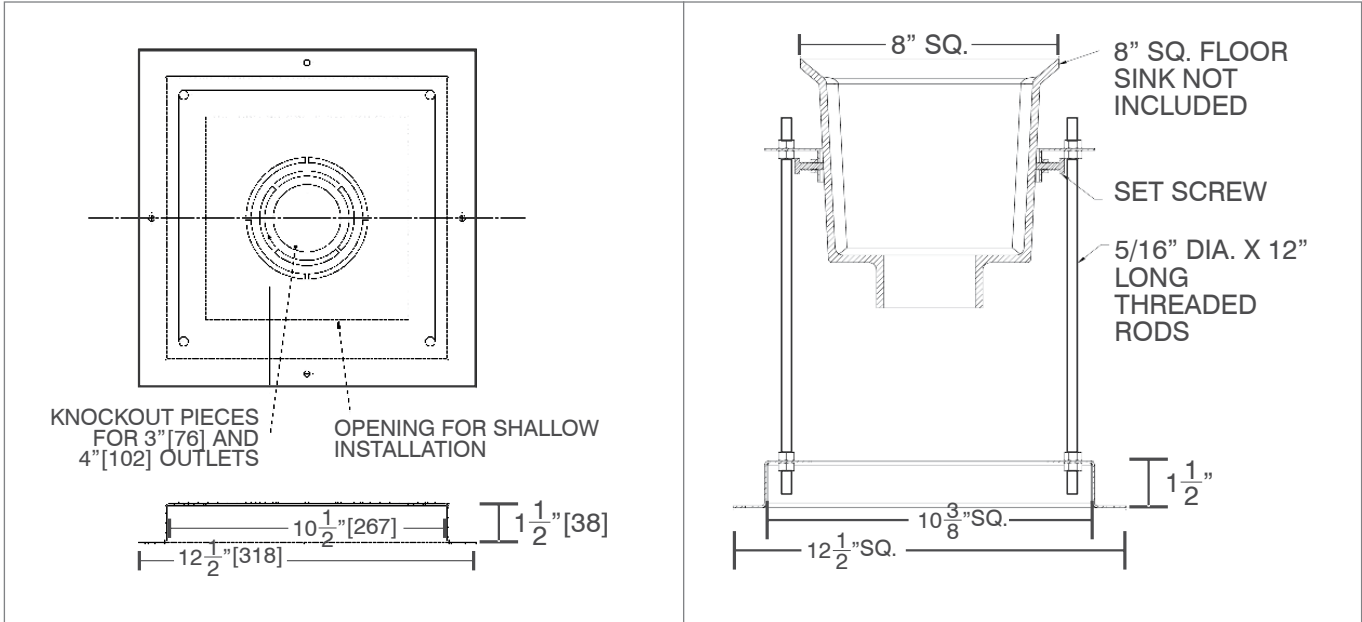


**FS1959**

**FLOOR SINK INSTALLATION STABILIZATION PLATE – FOR 8" X 8" FLOOR SINKS**

**Specification:** MIFAB Series FS1959, 16 gauge, fabricated steel, electrostatically applied powder epoxy coated floor sink installation stabilization plate. 12 1/2" square and 1 1/2" high. Complete with four 5/16" all threaded rods and adjustable knock outs to accommodate 3" and 4" outlet connections.

**Function:** Used in areas to support an 8"x 8" floor sink off of the structural slab.



STABILIZING PLATE FOR 8" X 8" FLOOR SINKS		
MODEL NO.	PIPE SIZE	PIPE OPENING DIAMETER
FS1959-2	2"	2 9/16"
FS1959-3	3"	3 11/16"
FS1959-4	4"	4 11/16"

CALIFORNIA PROPOSITION 65 WARNING. This product contains chemicals known to the State of California to cause cancer and birth defects or other reproductive harm.

Job Name: \_\_\_\_\_ Page No: \_\_\_\_\_  
 Section No: \_\_\_\_\_ Contractor: \_\_\_\_\_  
 Schedule No: \_\_\_\_\_ Purchase Order No: \_\_\_\_\_