

Location: \_\_\_\_\_

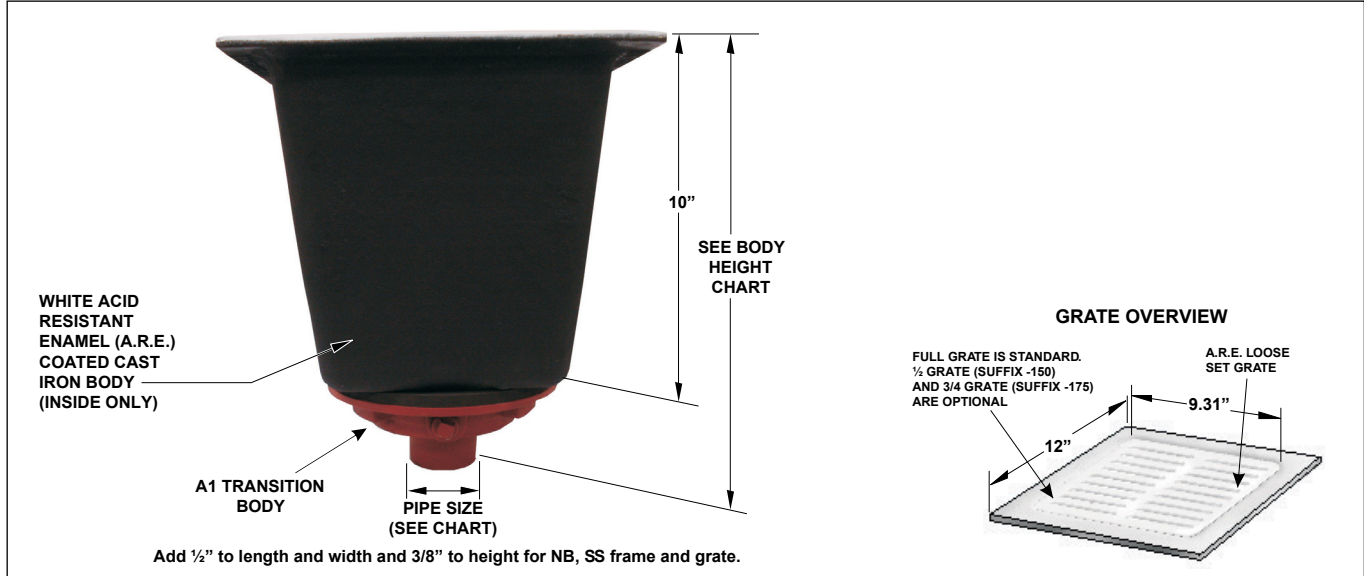


**FS1740-TB**

**12" X 12" X 10" FLOOR AREA AND  
INDIRECT SANITARY WASTE DRAIN**

**Specification:** MIFAB Series FS1740-TB, 12" x 12" x 10" deep cast iron floor area and indirect sanitary waste drain complete with white acid resistant porcelain enamel coated interior and loose set grate. Anti-splash aluminum dome strainer included.

**Function:** Used in kitchens, restaurants, grocery stores, hospitals, schools, and other areas that require a large volume sanitary drain. Also suitable for indirect waste applications. The light duty grate is not recommended for foot traffic. The floor sink body is made with a 4" NPSM threaded connection so that any one of MIFAB's A1 bodies can be threaded onto the underside of the body with a water sealing gasket between the underside of the floor sink and the A1 body.



PIPE SIZE	BODY HEIGHT				
	NO HUB (STANDARD)	PUSH ON (P)	INSIDE CAULK (X)	THREADED (T)	PVC (-30) / ABS (-31)
2" (51)	*12 1/2" (318)	*12 7/8" (327)	*14" (356)	*12 1/2" (318)	*13 1/4" (337)
3" (76)	*12 1/2" (318)	*12 7/8" (327)	*14" (356)	*12 7/8" (327)	*13 1/4" (337)
4" (102)	*12 1/2" (318)	*12 7/8" (327)	**12 5/8" (321)	*12 7/8" (327)	*13 1/4" (337)

\*Indicates outlet size and connection available with transition outlet body only.

\*\*4" Inside Caulk Outlet body only available with -FL anchor flange. Not available with a transition outlet body. One piece body only. Outlet sizes indicated by the \* are available with the transition outlet body only

Suffix	Description
-1	Nickel bronze frame and grate
-3	Stainless steel frame and grate
-5	Sediment bucket
-6	Security screws (1, -3 only, T-20 Torx and pin)
-7	1/2" trap seal primer connection
-8	Backwater valve (2", 3" or 4" only)
-9	Hinged grate (-3 only)
-21	Secondary flat stainless steel strainer
-22	Less grate
see FS1940-FL	Stainless steel body (Type 304)
see FS1940-FL	Stainless steel body (Type 316)
-30	PVC outlet
-31	ABS outlet
-32	Deep seal trap with flushing connection
-50	A.R.E. coated cast iron funnel
-51	2 1/2" round center hole in grate (-1, -3 only)
-69	Stainless steel sediment bucket

-83	Stainless steel mesh screen over sediment bucket
-90	Threaded side outlet
-90NH	No hub side outlet
-95	Client logo (-1, -3 only)
-150	1/2 grate
-175	3/4 grate
-C	Membrane Clamps
-BA	Buy American Act compliant product
(Standard)	No hub outlet
-F4	4" round funnel
-F6	6" round funnel
-G	4" x 9" oval funnel
-J	3" x 1" oval funnel
-P	Push on outlet
-PA	Pennsylvania Steel Act compliant product
-T	Threaded outlet
X	Inside caulk outlet
-Z	Extended wide elastomeric flange (with -FL only)

CALIFORNIA PROPOSITION 65 WARNING. This product contains chemicals known to the State of California to cause cancer and birth defects or other reproductive harm.

Job Name: \_\_\_\_\_  
 Section No: \_\_\_\_\_  
 Schedule No: \_\_\_\_\_

Page No: \_\_\_\_\_  
 Contractor: \_\_\_\_\_  
 Purchase Order No: \_\_\_\_\_