

Location: _____

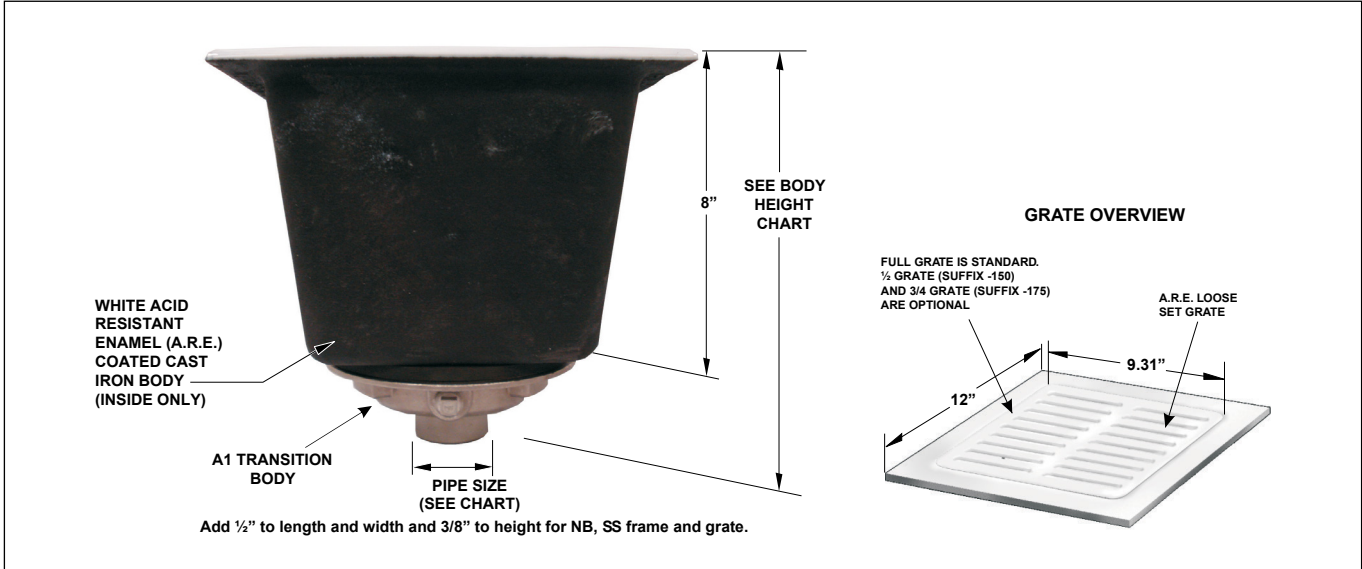


FS1730-TB

**12" X 12" X 8" FLOOR AREA AND
INDIRECT SANITARY WASTE DRAIN**

Specification: MIFAB Series FS1730-TB, 12" x 12" x 8" deep cast iron floor area and indirect sanitary waste drain complete with white acid resistant porcelain enamel coated interior and loose set grate. Anti-splash aluminum dome strainer included.

Function: Used in kitchens, restaurants, grocery stores, hospitals, schools, and other areas that require a large volume sanitary drain. Also suitable for indirect waste applications. The light duty grate is not recommended for foot traffic. The floor sink body is made with a 4" NPSM threaded connection so that any one of MIFAB's A1 bodies can be threaded onto the underside of the body with a water sealing gasket between the underside of the floor sink and the A1 body.



| PIPE SIZE | BODY HEIGHT | | | | |
|-----------|-------------------|----------------|------------------|----------------|-----------------------|
| | NO HUB (STANDARD) | PUSH ON (P) | INSIDE CAULK (X) | THREADED (T) | PVC (-30) / ABS (-31) |
| 2" (51) | *10 1/2" (267) | *10 7/8" (276) | *12" (305) | *10 1/2" (267) | *11 1/4" (286) |
| 3" (76) | *10 1/2" (267) | *10 7/8" (276) | *12" (305) | *10 7/8" (276) | *11 1/4" (286) |
| 4" (102) | *10 1/2" (267) | *10 7/8" (276) | **10 5/8" (270) | *10 7/8" (276) | *11 1/4" (286) |

*Indicates outlet size and connection available with transition outlet body only.

**4" Inside Caulk Outlet body only available with -FL anchor flange. Not available with a transition outlet body. One piece body only. Outlet sizes indicated by the * are available with the transition outlet body only.

| Suffix | Description |
|---------------|---|
| -1 | Nickel bronze frame and grate |
| -3 | Stainless steel frame and grate |
| -5 | Sediment bucket |
| -6 | Security screws (1, -3 only, T-20 Torx and pin) |
| -7 | 1/2" trap seal primer connection |
| -8 | Backwater valve (2", 3" or 4") |
| -9 | Hinged grate (-3 only) |
| -21 | Secondary flat stainless steel strainer |
| -22 | Less grate |
| see FS1930-FL | Stainless steel body (Type 304) |
| see FS1930-FL | Stainless steel body (Type 316) |
| -30 | PVC outlet |
| -31 | ABS outlet |
| -32 | Deep seal trap with flushing connection |
| -50 | A.R.E. coated cast iron funnel |
| -51 | 2 1/2" round center hole in grate (-1, -3 only) |
| -69 | Stainless steel sediment bucket |

| | |
|------------|--|
| -83 | Stainless steel mesh screen over sediment bucket |
| -90 | Threaded side outlet |
| -90NH | No hub side outlet |
| -95 | Client logo (-1, -3 only) |
| -150 | 1/2 grate |
| -175 | 3/4 grate |
| -BA | Buy American Act compliant product |
| (Standard) | No hub outlet |
| -F4 | 4" round funnel |
| -F6 | 6" round funnel |
| -FL | Anchor flange |
| -G | 4" x 9" oval funnel |
| -J | 3" x 1" oval funnel |
| -P | Push on outlet |
| -PA | Pennsylvania Steel Act compliant product |
| -T | Threaded outlet |
| X | Inside caulk outlet |
| -Z | Extended wide elastomeric flange (with -FL only) |

CALIFORNIA PROPOSITION 65 WARNING. This product contains chemicals known to the State of California to cause cancer and birth defects or other reproductive harm.

Job Name: _____
 Section No: _____
 Schedule No: _____

Page No: _____
 Contractor: _____
 Purchase Order No: _____