

Location: _____

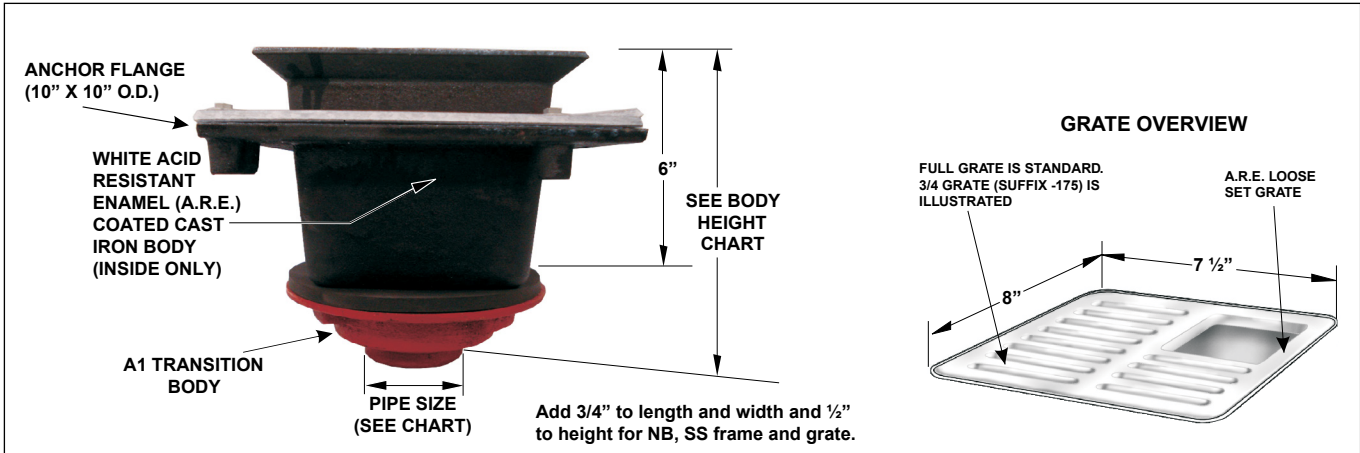


FS1520-FL-TB

8" X 8" X 6" FLOOR AREA AND INDIRECT SANITARY WASTE DRAIN WITH FLANGE

Specification: MIFAB® Series FS1520-FL-TB, 8" x 8" x 6" deep cast iron floor area and indirect sanitary waste drain complete with white acid resistant porcelain enamel coated interior and loose set grate and anchor flange with weepholes. Anti-splash aluminum dome strainer included.

Function: Used in kitchens, restaurants, grocery stores, hospitals, schools, and other areas that require a medium volume sanitary drain. The anchor flange is engineered to receive water proofing membrane. Membrane clamps are recommended for use with the anchor flange (Suffix -C). The light duty grate is not recommended for foot traffic. The floor sink body is made with a 4" NPSM threaded connection so that any one of MIFAB's A1 bodies can be threaded onto the underside of the body with a water sealing gasket between the underside of the floor sink and the A1 body.



A1 BODY HEIGHT					
PIPE SIZE	NO HUB (STANDARD)	PUSH ON (P)	INSIDE CAULK (X)	THREADED (T)	PVC (-30), AVS (-31)
2"	3"	3 3/8"	3 3/4"	2 1/4"	2 5/8"
3"	3"	3 3/8"	3 3/4"	2 5/8"	3 1/4"
4"	3"	3 3/8"	3 3/4"	2 5/8"	3 1/2"

PIPE SIZE	BODY HEIGHT				
	NO HUB (STANDARD)	PUSH ON (P)	INSIDE CAULK (X)	THREADED (T)	PVC (-30), AVS (-31)
2" (51)	*9 1/4" (235)	*9 5/8" (244)	*10" (254)	*8 1/2" (216)	*9 1/4" (235)
3" (76)	*9 1/4" (235)	*9 5/8" (244)	*10" (254)	*8 7/8" (225)	*9 1/4" (235)
4" (102)	*9 1/4" (235)	*9 5/8" (244)	**8 5/8" (219)	*8 7/8" (225)	*9 1/4" (235)

SUFFIX	OPTIONAL VARIATIONS
-1	Nickel bronze frame and grate
-3	Stainless steel frame and grate
-5	Sediment bucket
-6	Security screws (1, -3 only, H-1039A, 4 pcs.)
-7	1/2" trap seal primer connection
-8	Backwater valve (2", 3" or 4")
-9	Hinged grate (-3 only)
-21	Secondary flat stainless steel strainer
-22	Less grate
-30	PVC outlet
-31	ABS outlet
-32	Deep seal trap with flushing connection
-50	A.R.E. coated cast iron funnel
-51	2 1/2" round center hole in grate (-1, -3 only)
-69	Stainless steel sediment bucket
-83	Stainless steel mesh screen over sediment bucket
-90	Threaded side outlet

SUFFIX	OPTIONAL VARIATIONS
-90NH	No hub side outlet
-95	Client logo (-1, -3 only)
-150	1/2 grate
-175	3/4 grate
-BA	Buy American Act compliant product
(Standard)	No hub outlet
-C	Membrane clamp with hardware
-F4	4" round funnel
-F6	6" round funnel
-G	4" x 9" oval funnel
-J	3" x 1" oval funnel
-P	Push on outlet
-PA	Pennsylvania Steel Act compliant product
-T	Threaded outlet
X	Inside caulk outlet
-Z	Extended wide elastomeric flange (with -FL only)

CALIFORNIA PROPOSITION 65 WARNING. This product contains chemicals known to the State of California to cause cancer and birth defects or other reproductive harm.

Job Name: _____ Page No: _____
 Section No: _____ Contractor: _____
 Schedule No: _____ Purchase Order No: _____