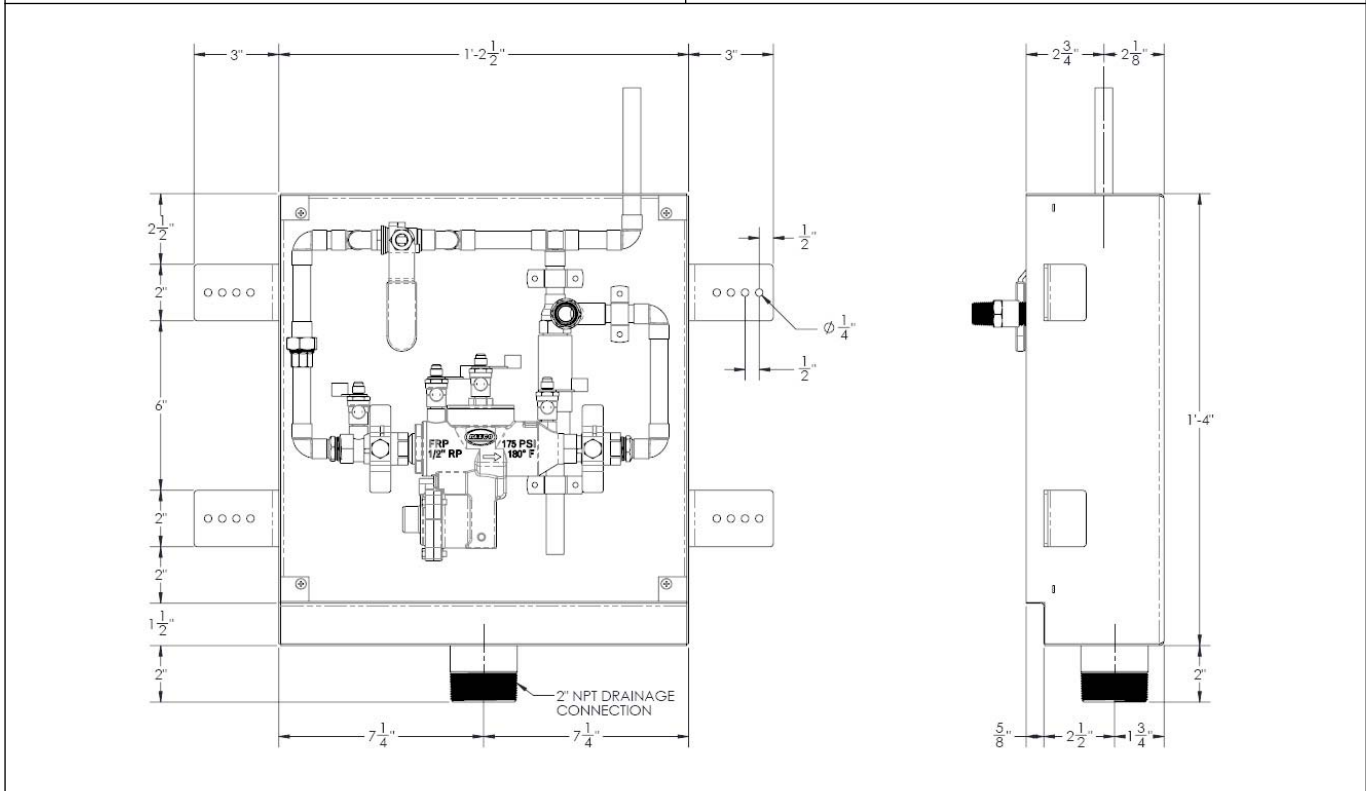
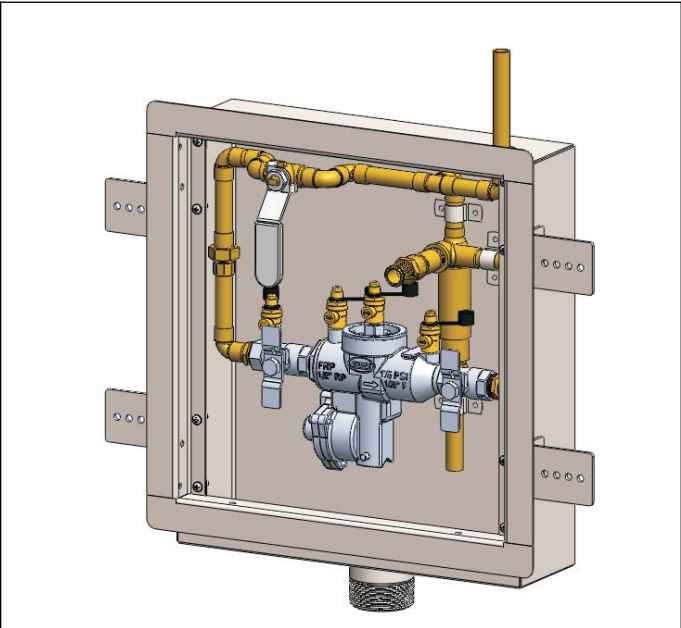
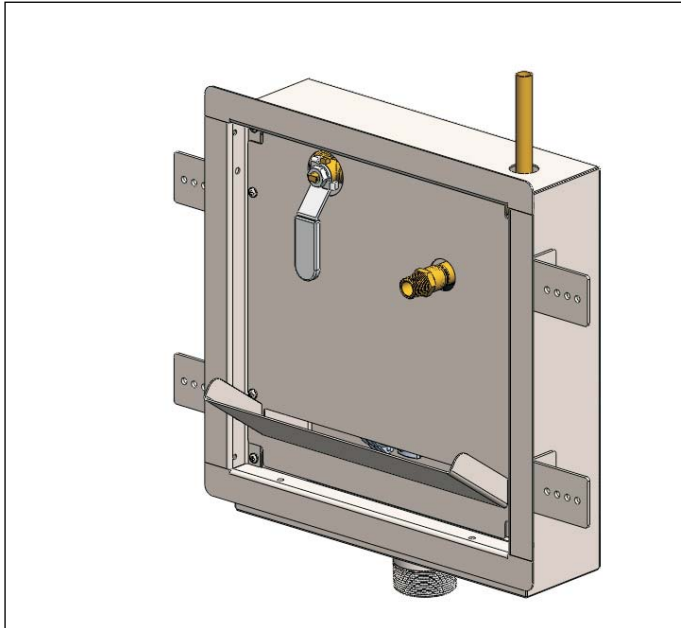




MI-DIAL-FRP-MR

STAINLESS STEEL SUPPLY & WASTE DIALYSIS BOX WITH FRP VALVE AND TRAP SEAL PRIMER

SPECIFICATION: MIFAB® Sereis MI-DIAL supply and waste dialysis box is constructed of 16 gauge, Type 316 stainless steel, continuous welded corners, four mounting anchor tabs, and removable 304 S.S. finishing frame and cover, 1/2" sweat supply connection, 3/4" hose connection with trap seal primer, shut off valve, reduced pressure zone backflow preventer, and 2" stainless steel drain connection.



CALIFORNIA PROPOSITION 65 WARNING. This product contains chemicals known to the State of California to cause cancer and birth defects or other reproductive harm.

Job Name: _____	Page No: _____
Section No: _____	Contractor: _____
Schedule No: _____	Purchase Order No: _____