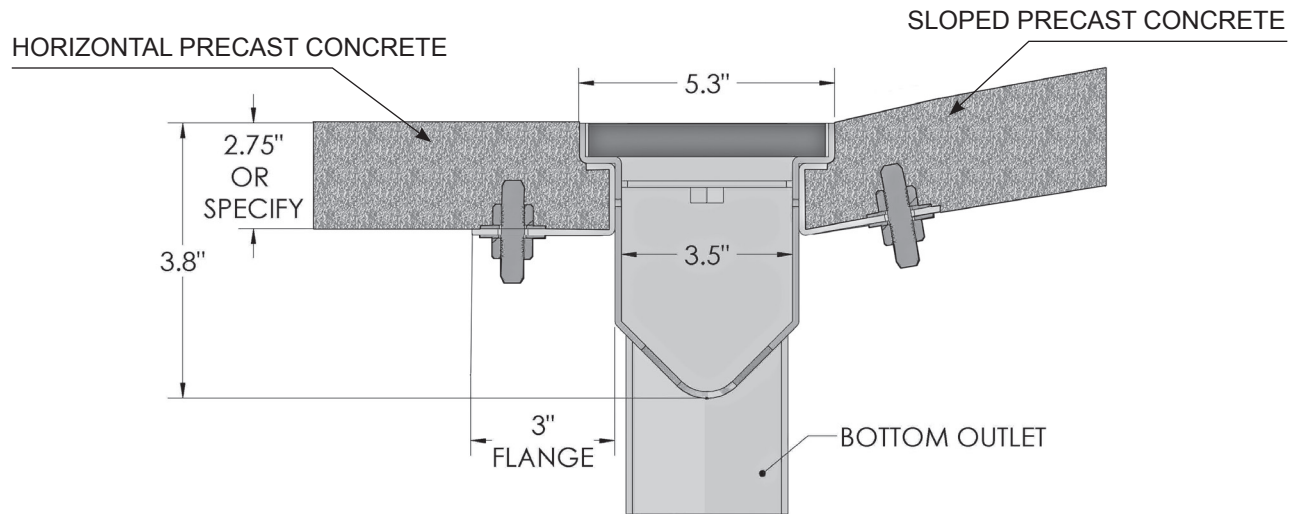


T1330-FL and T1330-FL-TH

The T1330-FL and T1330-FL-TH (6" wide) is ideal for use in parking garages where the sloped and horizontal precast concrete sections meet. The extra wide 3" anchor flange is designed to install over a cut out in the precast concrete slabs. The depth from the anchor flange to the top of the drain allows for concrete to secure the T1330-FL and T1330-FL-TH to the precast concrete slab.

The anchor flanges (one or both) can be manufactured in MIFAB's Chicago, Illinois factory to be angled to any degree to meet the adjoining precast concrete slab.

The T1330-FL and T1330-FL-TH is a bid time saver for contractors because it is easily and quickly installed between two precast concrete slabs.

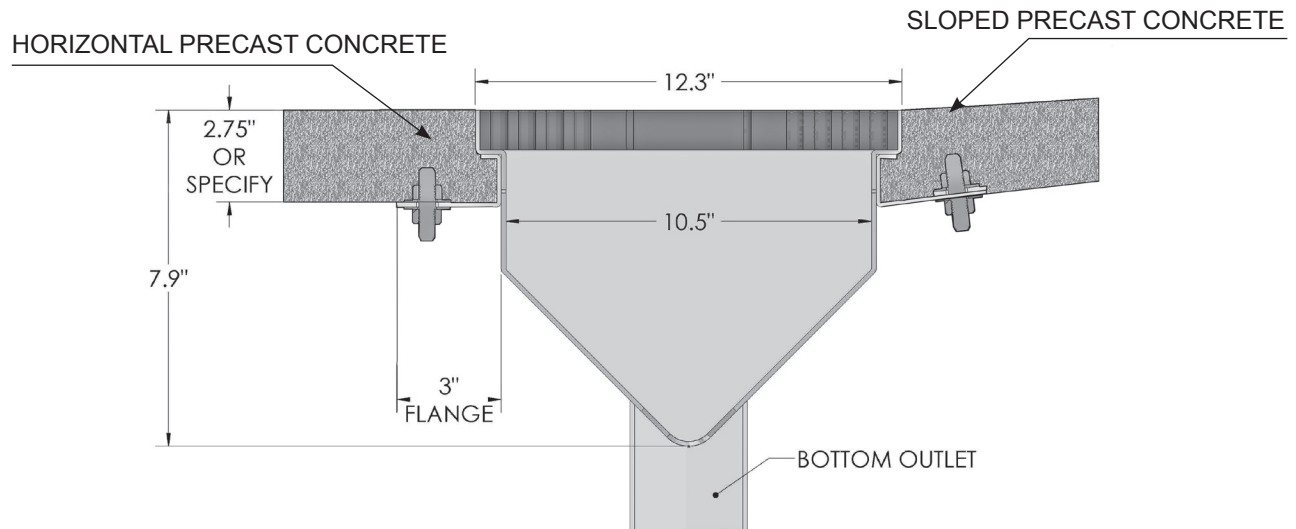


T1360-FL and T1360-FL-TH

The T1360-FL and T1360-FL-TH (12" wide) is ideal for use in parking garages where the sloped and horizontal precast concrete sections meet. The extra wide 3" anchor flange is designed to install over a cut out in the precast concrete slabs. The depth from the anchor flange to the top of the drain allows for concrete to secure the T1360-FL and T1360-FL-TH to the precast concrete slab.

The anchor flanges (one or both) can be manufactured in MIFAB's Chicago, Illinois factory to be angled to any degree to meet the adjoining precast concrete slab.

The T1360-FL and T1360-FL-TH is a bid time saver for contractors because it is easily and quickly installed between two precast concrete slabs.



CALIFORNIA PROPOSITION 65 WARNING. This product contains chemicals known to the State of California to cause cancer and birth defects or other reproductive harm.