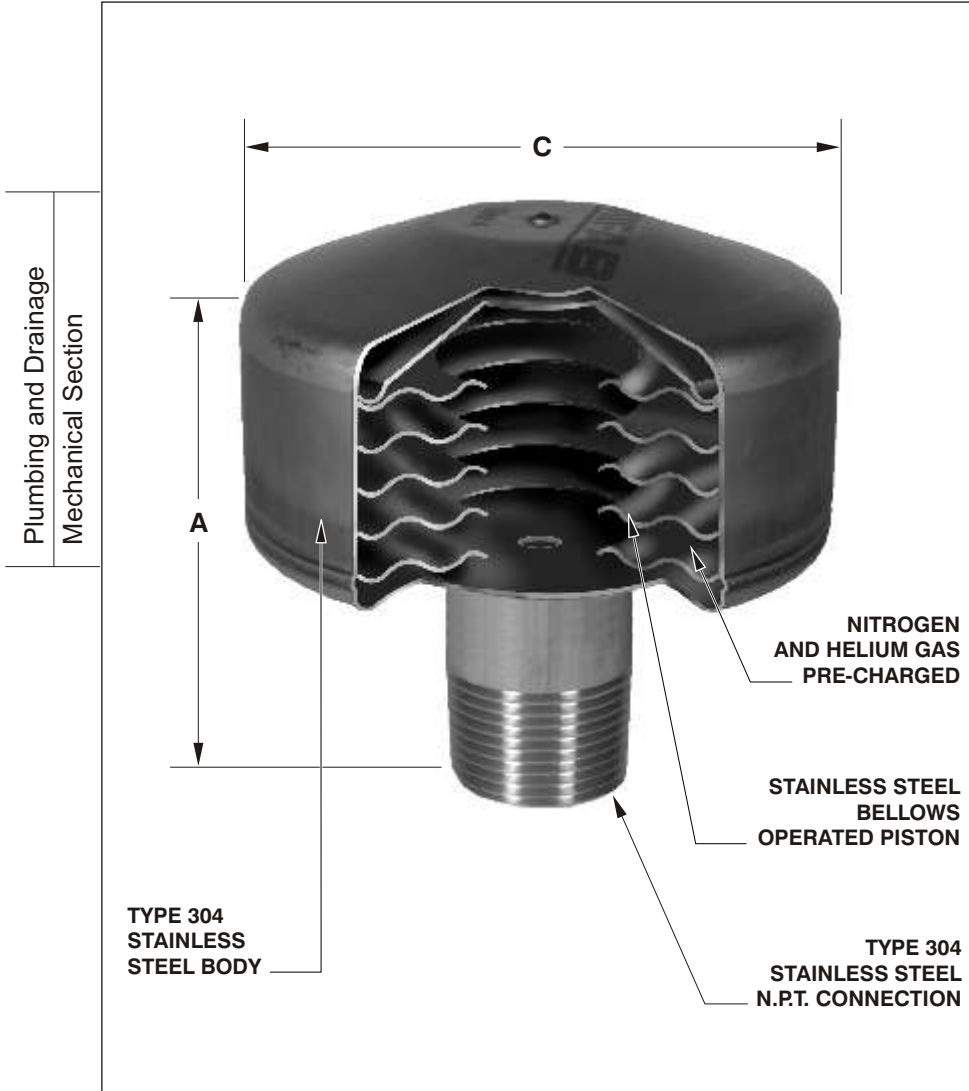


**Specification:** MIFAB® WHB Series (specify size) nesting type bellows operated water hammer arrestor with male N.P.T. connection. Bellows and body casing made of Type 304 stainless steel. WHB Series is certified to the PDI WH-201 Standard. Engineered to limit line system surge pressure up to 1500 P.S.I.G. Shall be sized and located in accordance with manufacturer's instructions.

**Functions:** Installed in commercial, institutional and residential applications on water supply lines to reduce water hammer caused by the quick opening and closing of valves within the piping system. The resulting hydraulic shock waves can lead to broken pipes and effect valves in appliances if not reduced with the use of the water hammer arrestor. Stainless steel bellows operated piston ensures long life for performance and maximum operating efficiency.

### MIFAB® WHB Series Features

- **STAINLESS STEEL BODY** - prevents corrosion.
- **STAINLESS STEEL BELLOWS OPERATED PISTON** - improves operating efficiency.
- **TESTED AND CERTIFIED** to the PDI WH-201 Standard.
- **OPERATING PRESSURE:** Up to 350 P.S.I.G. for effective and safe operation.
- **TEMPERATURE RANGE:** Maximum working temperature is 250° F



MODEL NO.	SIZE TYPE	FIXTURE UNIT CAPACITY	A (LENGTH)	B N.P.T. CONNECTION	C (DIAMETER)
WHB-A	A	1-11	3 3/8"	3/4"	3 3/8"
WHB-B	B	12-32	4"	1"	3 3/8"
WHB-C	C	33-60	4 3/8"	1"	3 3/8"
WHB-D	D	61-113	5 3/8"	1"	3 3/8"
WHB-E	E	114-154	7 1/4"	1"	3 3/8"
WHB-F	F	155-330	7 1/4"	1"	3 3/8"

Job Name: _____	Page No: _____
Section No: _____	Contractor: _____
Schedule No: _____	Purchase Order No: _____