



UA

UNIVERSAL ACCESS DOOR

Internet address: www.mifab.com

Toll Free: 1-800-465-2736

Canada Toll Free: 1-800-387-3880



SERIES UA

UNIVERSAL ACCESS DOOR

DESCRIPTION

The MIFAB® UA is a multi-purpose access door. It is designed for flush installation into drywall, block or tile, walls and ceilings. The door features rounded safety corners, concealed hinge, flush with frame fit, a unique white finish, and a 1/4" turn back in the door panel for extra rigidity and safety.

SPECIFICATIONS

Material UA Series is 16 gage satincoat steel door and 16 gage satincoat steel frame. The UA-SS stainless steel Series is 16 gage #304 stainless steel door and frame. Aluminum doors are available as an option up to the 24" x 24" (610 x 610) size. The door and frame is 14 gage, type 5052-32 aluminum.

Finish Satincoat steel doors have a primed white finish. Stainless steel doors have a #4 brush satin finish.

Door Flush to frame. Turned back around edges for extra rigidity.

Frame The frame has pre-punched mounting holes for simple installation.

Hinge Latch Concealed pivot pins. Standard - Flush mounted, screwdriver operated cam. Optional - Allen key, cylinder key, or vandal resistant latch. All of MIFAB's cylinder key locks are keyed alike.

Packaging One door per carton.

OPTIONAL VARIATIONS: SUFFIX

- Allen key lock -A
- Cylinder key lock -C
- Paddle latch -PL
- Stainless steel -SS
- Vandal resistant -VP

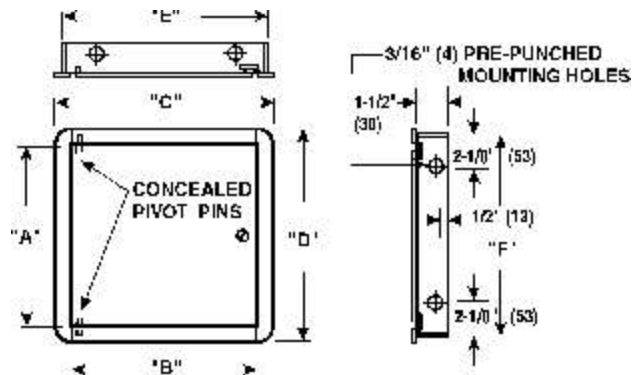
A-B Door Size

C-B Overall Dimensions - Door Size - Plus 2 1/8" (53)

E-F Wall Opening - Door Size - Plus 3/8" (9)

STANDARD SIZES (special sizes available upon request)

DOOR SIZE		WALL OPENING		SHIPPING WEIGHT		LAT-CHES
Inches	mm	Inches	mm	lbs.	kg.	
"B" x "A"	"B" x "A"	Inches	mm	lbs.	kg.	
6 x 6	152 x 152	6 3/8 x 6 3/8	162 x 162	1.9	.86	1
8 x 8	203 x 203	8 3/8 x 8 3/8	213 x 213	2.8	1.27	1
8 x 12	203 x 305	8 3/8 x 12 3/8	213 x 314	3.8	1.73	1
10 x 10	254 x 254	10 3/8 x 10 3/8	264 x 264	3.8	1.73	1
12 x 12	305 x 305	12 3/8 x 12 3/8	314 x 314	5.0	2.27	1
12 x 16	305 x 406	12 3/8 x 16 3/8	314 x 416	6.4	2.91	1
12 x 18	305 x 457	12 3/8 x 18 3/8	314 x 467	7.1	3.23	1
12 x 24	305 x 610	12 3/8 x 24 3/8	314 x 619	9.3	4.23	1
14 x 14	356 x 356	14 3/8 x 14 3/8	365 x 365	6.4	2.91	1
15 x 15	381 x 381	15 3/8 x 15 3/8	390 x 390	7.1	3.23	1
16 x 16	406 x 406	16 3/8 x 16 3/8	416 x 416	7.9	3.59	1
16 x 20	406 x 508	16 3/8 x 20 3/8	416 x 518	9.7	4.41	1
16 x 24	406 x 610	16 3/8 x 24 3/8	416 x 619	11.4	5.18	1
18 x 18	457 x 457	18 3/8 x 18 3/8	466 x 466	9.8	4.45	1
18 x 24	457 x 610	18 3/8 x 24 3/8	466 x 619	12.7	5.77	1
18 x 36	457 x 914	18 3/8 x 36 3/8	466 x 924	18.5	8.27	2
20 x 20	508 x 508	20 3/8 x 20 3/8	518 x 518	11.7	5.32	1
20 x 24	508 x 610	20 3/8 x 24 3/8	518 x 619	13.8	6.27	1
20 x 30	508 x 762	20 3/8 x 30 3/8	518 x 772	16.9	7.68	2
22 x 22	559 x 559	22 3/8 x 22 3/8	568 x 568	13.7	6.23	1
22 x 30	559 x 762	22 3/8 x 30 3/8	568 x 772	18.2	8.27	2
24 x 24	610 x 610	24 3/8 x 24 3/8	619 x 619	15.9	7.23	1
24 x 30	610 x 762	24 3/8 x 30 3/8	619 x 772	19.6	8.91	2
24 x 36	610 x 914	24 3/8 x 36 3/8	619 x 924	23.2	10.5	2
30 x 30	762 x 762	30 3/8 x 30 3/8	772 x 772	23.5	10.7	4
32 x 32	813 x 813	32 3/8 x 32 3/8	822 x 822	26.4	12.0	3
36 x 36	914 x 914	36 3/8 x 36 3/8	924 x 924	32.7	14.9	4
36 x 48	914 x 1219	36 3/8 x 48 3/8	924 x 1229	43.0	19.5	4



(Dimension) Denotes Millimetres

NOTE: The hinge is always furnished on the "A" or height (longer) dimension, unless otherwise specified.