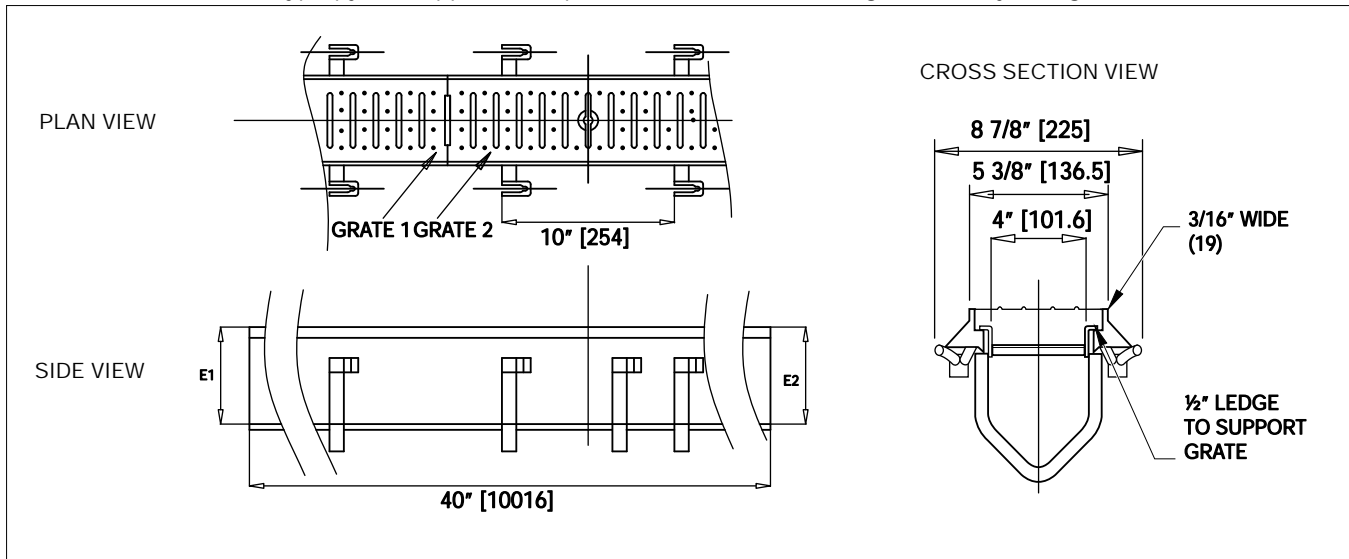


Specification: MIFAB® Series T1400 6" wide pre-sloped trench drain system. Polypropylene drain body with integral top frame and ¼" per section bottom slope, anchor flange with slotted tabs every 10" for rebar tie down and leveling, grate lockdown assembly, body support legs, interlocking ends and radiused bottom. Standard with ANSI rated "Special Duty" lacquered ductile iron heel proof grates with a safe live load of over 10,000 lbs.

Function: Used in airports, car washes, malls and plazas, golf courses, factories and any other facilities that require large areas of surface drainage. Chemical resistant polypropylene material provides for long life. V configuration channel design ensures maximum flow of water. Polypropylene support board prevents debris from entering trench body during construction.



BODY PART NO.	OVERALL DEPTH		MAX. FLOW RATE (GPM)
	E1 (MIN)	E2 (MAX)	
T1401-PB	5 ¼"	5 ½"	130
T1402-PB	5 ½"	5 ¾"	145
T1403-PB	5 ¾"	6"	160
T1403N-PB	6"	6"	-
T1404-PB	6"	6 1/4"	175
T1405-PB	6 1/4"	6 1/2"	190
T1406-PB	6 ½"	6 ¾"	215
T1406N-PB	6 ¾"	6 ¾"	-
T1407-PB	6 ¾"	7"	230
T1408-PB	7"	7 1/4"	245

BODY PART NO.	OVERALL DEPTH		MAX. FLOW RATE (GPM)
	E1 (MIN)	E2 (MAX)	
T1409-PB	7 1/4"	7 ½"	260
T1409N-PB	7 1/2"	7 ½"	-
T1410-PB	7 ½"	7 ¾"	275
T1411-PB	7 ¾"	8"	290
T1412-PB	8"	8 1/4"	305
T1412N-PB	8 1/4"	8 1/4"	-
T1413-PB	8 1/4"	8 ½"	325
T1414-PB	8 1/2"	8 ¾"	335
T1415-PB	8 ¾"	9"	350
T1415N-PB	9"	9"	365

- | | | | |
|--|--------|---|--------|
| OPTIONAL VARIATIONS: | SUFFIX | SUFFIX | SUFFIX |
| <input type="checkbox"/> Bottom dome strainer | -BDS | <input type="checkbox"/> Extra heavy duty ductile iron frame assembly | -HD |
| <input type="checkbox"/> 4" no hub bottom outlet | -BO4 | <input type="checkbox"/> Extra heavy duty galvanized ductile iron frame assembly | -HDG |
| <input type="checkbox"/> Extra heavy duty ductile iron grate (Standard) | -DG | <input type="checkbox"/> Heavy duty polypropylene heel proof grate | -HPP |
| <input type="checkbox"/> Extra heavy duty ductile iron grate with stainless steel veneer | -DGSS | <input type="checkbox"/> Extra heavy duty ductile iron frame assembly with stainless steel veneer | -HDS |
| <input type="checkbox"/> 4" no hub end outlet | -EO4 | <input type="checkbox"/> Extra heavy duty ductile iron longitudinal slotted grate | -LDG |
| <input type="checkbox"/> Closed end cap | -EC | <input type="checkbox"/> Galvanized extra heavy duty ductile iron longitudinal slotted grate | -LDGG |
| <input type="checkbox"/> Fabricated stainless steel (Type 304) slotted grate | -FS | <input type="checkbox"/> Perforated galvanized steel light duty grate | -PG |
| <input type="checkbox"/> Galvanized extra heavy duty ductile iron grate | -GDG | <input type="checkbox"/> Perforated stainless steel (Type 304) light duty grate | -PS |
| <input type="checkbox"/> Vandal resistant grate lockdown assembly | -GLVP | <input type="checkbox"/> Reinforced stainless steel (Type 304) slotted grate | -RFS |
| | | <input type="checkbox"/> Reinforced galvanized steel perforated grate | -RPG |
| | | <input type="checkbox"/> Reinforced stainless steel (Type 304) perforated grate | -RPS |
| | | <input type="checkbox"/> Stainless steel (Type 304) cast bar grate | -SBG |
| | | <input type="checkbox"/> Stainless steel (Type 304) fabricated heel proof bar grate | -SBGHP |
| | | <input type="checkbox"/> Type 304 stainless steel top veneer frame | -SVF |

Job Name: _____	Page No: _____
Section No: _____	Contractor: _____
Schedule No: _____	Purchase Order No: _____