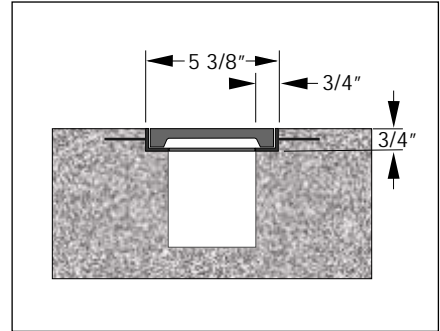
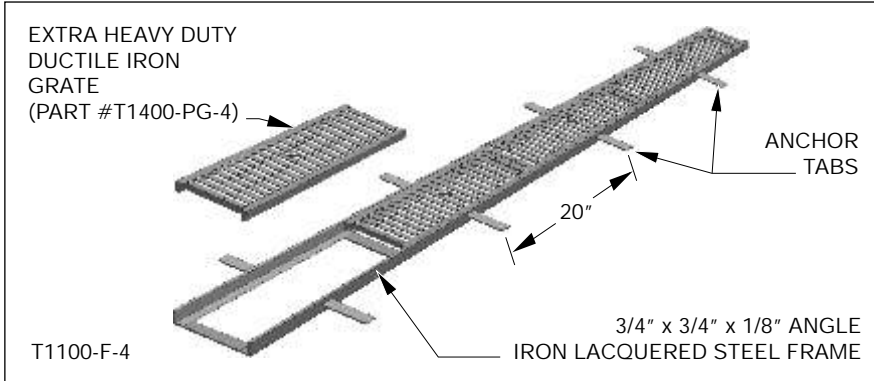




# T1100-F/T1200-F

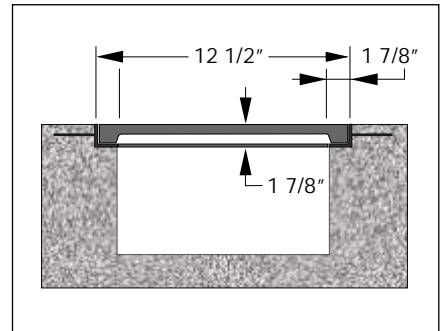
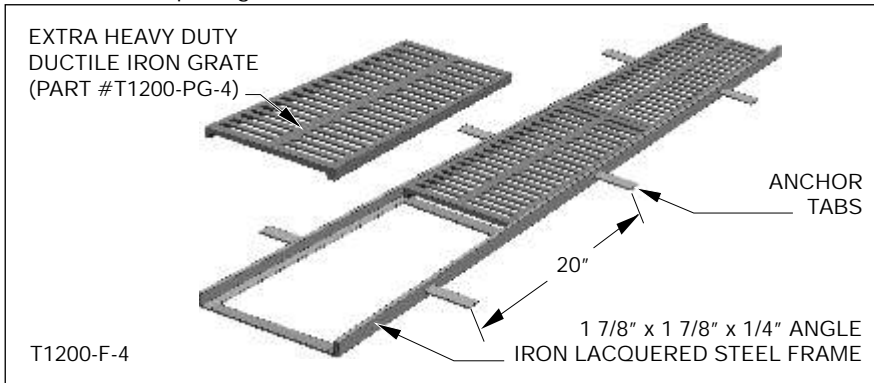
## FRAME AND GRATE SYSTEMS

Specification: MIFAB® Series T1100-F-4 6" wide steel frame and grate system. Lacquered 3/4" x 3/4" x 1/8" welded angle iron steel frame with anchor tabs located every 20" for anchoring support. Standard with 20" long, ANSI rated "Special Duty" lacquered ductile iron heel proof grates with a safe live load of over 10,000 lbs.



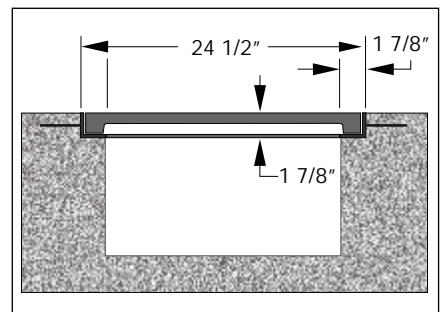
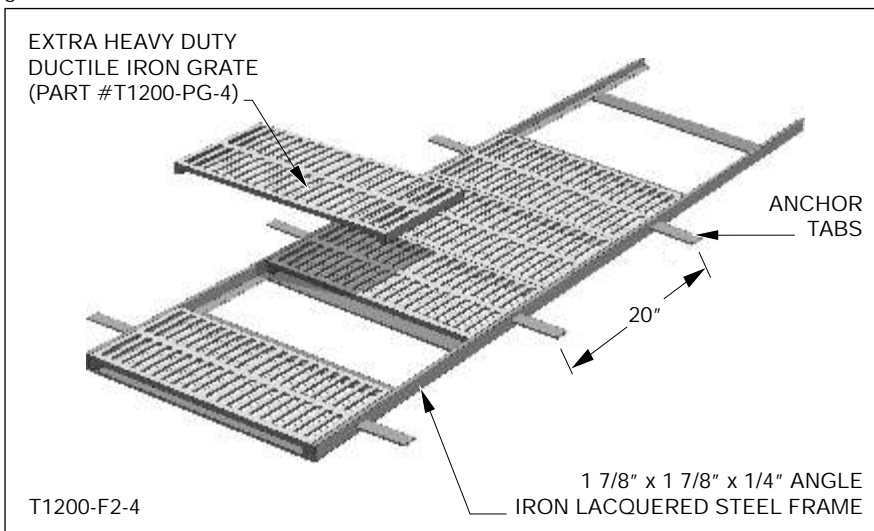
■ **CROSS SECTION** - Detail of 6" wide frame and grate system.

Specification: MIFAB® Series T1200-F-4 12" wide steel frame and grate system. Lacquered 1 7/8" x 1 7/8" x 1/4" welded angle iron steel frame with anchor tabs located every 20" for anchoring support. Standard with 24" long, ANSI rated "Special Duty" lacquered ductile iron heel proof grates with a safe live load of over 10,000 lbs.



■ **CROSS SECTION** - Detail of 12" wide frame and grate system.

Specification: MIFAB® Series T1200-F2-4 24" wide steel frame and grate system. Lacquered 1 7/8" x 1 7/8" x 1/4" welded angle iron steel frame with anchor tabs located every 20" for anchoring support. Standard with 12" long, ANSI rated "Special Duty" lacquered ductile iron heel proof grates with a safe live load of over 10,000 lbs.



■ **CROSS SECTION** - Detail of 24" wide frame and grate system.

- |   |        |  |        |
|---|--------|--|--------|
| OPTIONAL VARIATIONS:  | SUFFIX | SUFFIX   | SUFFIX |
| <input type="checkbox"/> Stainless Steel grate and frame veneer | -3     | <input type="checkbox"/> Acid resistant epoxy finish | -11    |
|   |        | <input type="checkbox"/> Galvanized finish           | -13    |