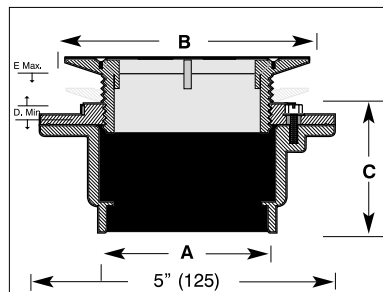
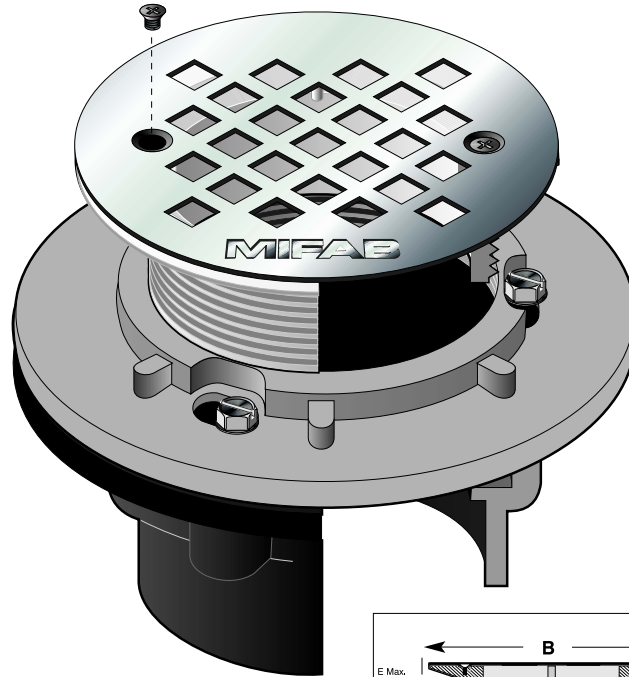


Specification: MIFAB® Series SD7000 Shower drain with ABS, or lacquered cast iron body, membrane clamp, adjustable strainer with stainless steel grate.

Function: Recommended for molded shower stalls where the drain body is placed on the pipe before the shower unit is installed.



MODEL NO.	PRODUCT DESCRIPTION	A	B	C	D	E	WEIGHT LBS.
SD7001	1 1/2" (38) ABS w/S.S. Grate	1 7/8" (48)	4" (102)	2 1/2" (64)	3/4" (19)	1 1/2" (38)	.75
SD7002	2" (50) ABS w/S.S. Grate	2 3/8" (60)	4" (102)	2 1/2" (64)	3/4" (19)	1 1/2" (38)	.75
SD7101	1 1/2" (38) C.I. w/S.S. Grate	1 1/2" (38) IPS	4" (102)	2 1/2" (64)	3/4" (19)	1 1/2" (38)	1.75
SD7102	2" (51) C.I. w/S.S. Grate	2" (51) IPS	4" (102)	2 1/2" (64)	3/4" (19)	1 1/2" (38)	1.75

OPTIONAL VARIATIONS: SUFFIX

Vandal proof -6

Job Name: _____	Page No: _____
Section No: _____	Contractor: _____
Schedule No: _____	Purchase Order No: _____