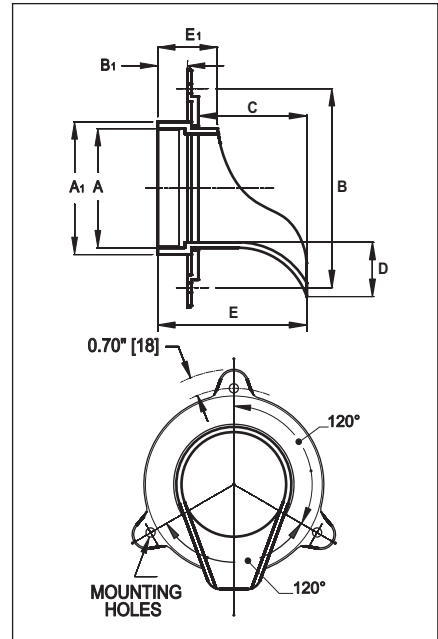
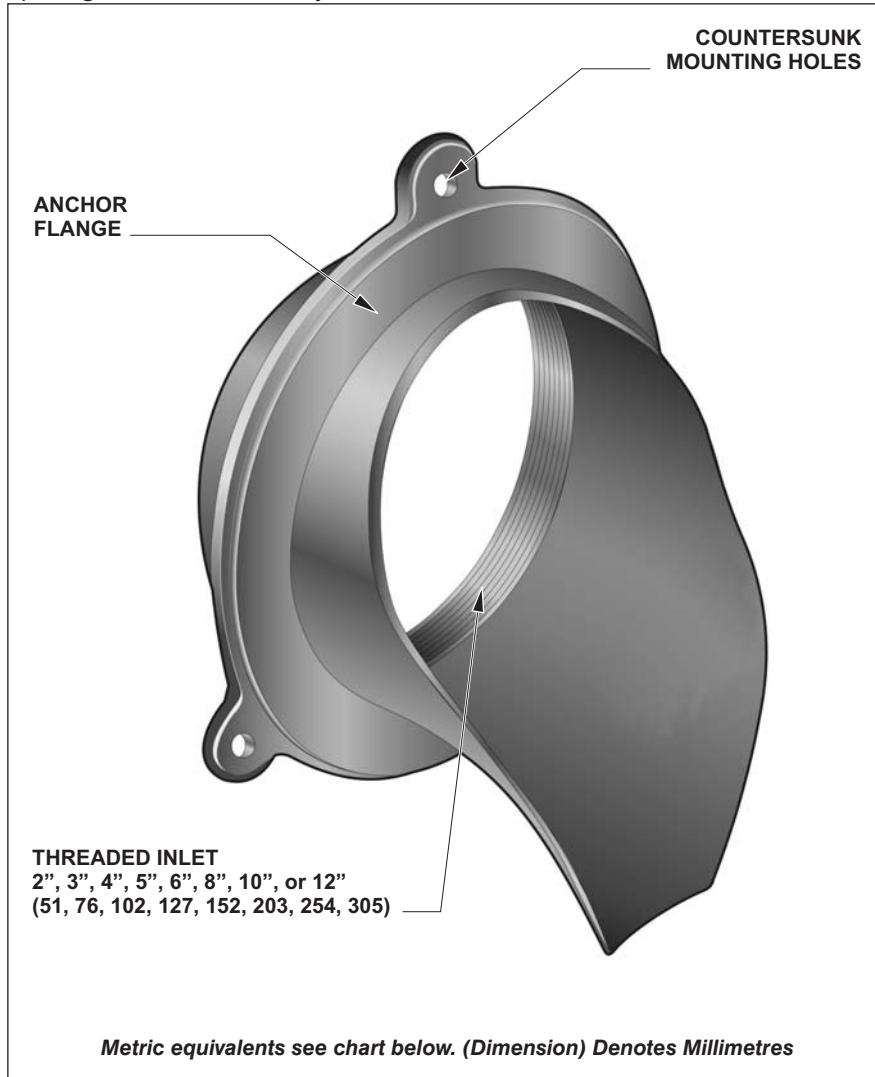
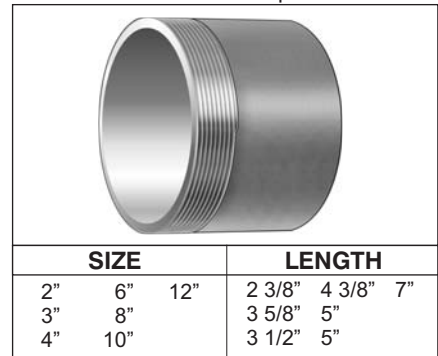


Specification: MIFAB® Series R1940 downspout nozzle with nickel bronze body and threaded outlet, wall anchor flange with countersunk holes and decorative outlet nozzle.

Function: Used as a parapet overflow or at the base of a wall where a concealed leader discharges rainwater to the ground. The decorative outlet nozzle directs water away from the wall to prevent unsightly staining. The wall anchor flange covers the rough opening and anchors the body.



For No Hub connection, use MI-850 Series No Hub to male threaded adapter



MODEL NO	PIPE SIZE A	A ₁	B	B ₁	C	D	E	E ₁
R1942	2" (51)	3.90" (100)	6.40" (163)	1.00" (25)	4.50" (114)	2.00" (51)	5.75" (146)	2.10" (53)
R1943	3" (76)	3.90" (100)	6.40" (163)	1.00" (25)	4.50" (114)	2.00" (51)	5.75" (146)	2.10" (53)
R1944	4" (102)	4.90" (124)	7.40" (188)	1.15" (29)	4.00" (102)	2.00" (51)	5.50" (140)	2.10" (53)
R1945	5" (127)	7.10" (180)	9.40" (239)	1.15" (29)	4.50" (114)	2.50" (64)	5.75" (146)	2.10" (53)
R1946	6" (152)	7.10" (180)	9.40" (239)	1.15" (29)	4.50" (114)	2.50" (64)	5.75" (146)	2.10" (53)
R1948	8" (203)	9.10" (231)	11.40" (290)	1.15" (29)	4.50" (114)	2.50" (64)	5.75" (146)	2.65" (67)
R1950	10" (254)	11.20" (284)	13.40" (340)	1.35" (34)	4.50" (114)	2.50" (64)	5.75" (146)	2.65" (67)
R1952	12" (305)	13.10" (334)	14.63" (372)	1.35" (34)	4.50" (114)	2.50" (64)	6.56" (167)	2.65" (67)

OPTIONAL VARIATIONS: Cast stainless steel (Type 304, 2" through 6" only) **SUFFIX** -3 Stainless steel screen **SUFFIX** -83

Job Name: _____ Page No: _____
 Section No: _____ Contractor: _____
 Schedule No: _____ Purchase Order No: _____