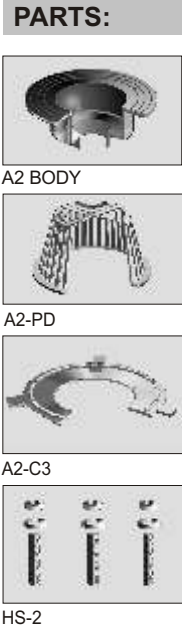
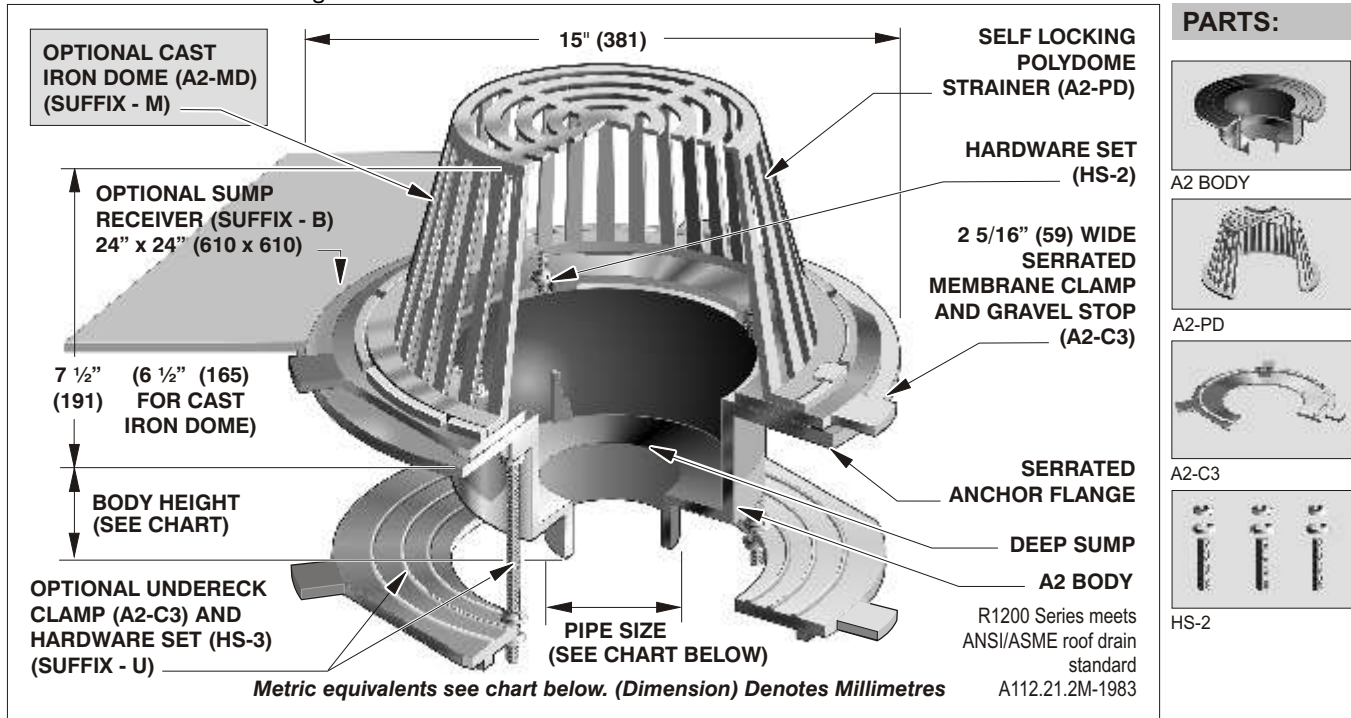


**Specification:** MIFAB® Series R1200 lacquered cast iron deep sump roof drain with 15" diameter anchor flange, large cast iron waterproofing membrane clamp ring with integral gravel stop, and standard self-locking polyethylene dome strainer with a free area of 125 square inches.

**Function:** Used in any type of flat roofs. Large free area dome provides for efficient drainage of rain water and prevents debris from entering the drain line. Extra wide anchor flange and membrane clamp with tongue in groove design provides for secure grip of membrane and roof flashing materials.



**Note:** Deck opening - 10" (254), with sump receiver - 15 3/4" (400)

PIPE SIZE	BODY HEIGHT				
	NO HUB (STANDARD)	PUSH ON (P)	THREADED (T)	INSIDE CAULK (X)	PVC/ABS (-30)/(-31)
2" (51)	5 7/16" (138)	6 1/8" (156)	5 7/16" (138)	6 1/4" (159)	7 1/8" (181)
3" (76)	5 7/16" (138)	6 1/8" (156)	5 7/16" (138)	6 1/4" (159)	7 3/8" (187)
4" (102)	5 7/16" (138)	6 1/8" (156)	5 7/16" (138)	6 1/4" (159)	7 3/8" (187)
5" (127)	5 7/16" (138)	-	5 7/16" (138)	6 1/4" (159)	-
6" (152)	5 7/8" (149)	8" (203)	6" (152)	6 1/4" (159)	-
8" (203)	5 7/8" (149)	-	-	5 5/8" (143)	-

- |   |               |   |               |   |      |
|---|---------------|---|---------------|---|------|
| <b>OPTIONAL VARIATIONS:</b>   | <b>SUFFIX</b> |   | <b>SUFFIX</b> | <b>SUFFIX</b>   |      |
| <input type="checkbox"/> Sediment bucket                                  | -5            | <input type="checkbox"/> No hub side outlet (cast iron only) 2", 3", 4" | -90NH         | <input type="checkbox"/> Push on outlet                       | P    |
| <input type="checkbox"/> Vandal proof dome                                | -6            | <input type="checkbox"/> No hub outlet                                  | (Standard)    | <input type="checkbox"/> 2" external water dam                | -R   |
| <input type="checkbox"/> Acid resistant epoxy coating                     | -11           | <input type="checkbox"/> Sump receiver                                  | -B            | <input type="checkbox"/> Threaded outlet                      | T    |
| <input type="checkbox"/> Galvanized metal dome                            | -12           | <input type="checkbox"/> Q-deck bolt on bearing pan                     | -BDP          | <input type="checkbox"/> Underdeck clamp                      | -U   |
| <input type="checkbox"/> All galvanized                                   | -13           | <input type="checkbox"/> Secondary clamp                                | -C            | <input type="checkbox"/> Underdeck clamp with cutaway side    | -U3  |
| <input type="checkbox"/> Flat grate (replaces dome strainer)              | -14           | <input type="checkbox"/> Adjustable extension                           | -E            | <input type="checkbox"/> Fixed static extension, 2", 3", 4"   | -V   |
| <input type="checkbox"/> Bronze body                                      | -27           | <input type="checkbox"/> Accuflow (parabolic weir) specify              | -F1, -F2, -F3 | <input type="checkbox"/> Adjustable water dam (4" dia.)       | -W   |
| <input type="checkbox"/> Stainless steel body (Type 304)                  | -28           | <input type="checkbox"/> Ballast guard                                  | -G            | <input type="checkbox"/> Water proofing flange                | -W-1 |
| <input type="checkbox"/> Stainless steel body (Type 316)                  | -29           | <input type="checkbox"/> Adj. ballast guard with secondary clamp        | -HC           | <input type="checkbox"/> 2" internal water dam                | -W2  |
| <input type="checkbox"/> PVC socket connection body                       | -30           | <input type="checkbox"/> S.S. ballast guard with secondary clamp        | -JC           | <input type="checkbox"/> 3" internal water dam                | -W3  |
| <input type="checkbox"/> ABS socket connection body                       | -31           | <input type="checkbox"/> Cast iron dome                                 | -M            | <input type="checkbox"/> 4" internal water dam                | -W4  |
| <input type="checkbox"/> Rough bronze dome                                | -81           | <input type="checkbox"/> Low profile aluminum dome                      | -M-80         | <input type="checkbox"/> 6" diameter adjustable water dam     | -W6  |
| <input type="checkbox"/> Stainless steel mesh screen over dome            | -83           |   |               | <input type="checkbox"/> Inside caulk outlet                  | X    |
| <input type="checkbox"/> Threaded side outlet (cast iron only) 2", 3", 4" | -90           |   |               | <input type="checkbox"/> Vertical expansion joint (see R1900) | -XJ  |
|   |               |   |               | <input type="checkbox"/> Extended wide elastomeric flange-Z   | -Z   |

Job Name: \_\_\_\_\_ Page No: \_\_\_\_\_  
 Section No: \_\_\_\_\_ Contractor: \_\_\_\_\_  
 Schedule No: \_\_\_\_\_ Purchase Order No: \_\_\_\_\_