

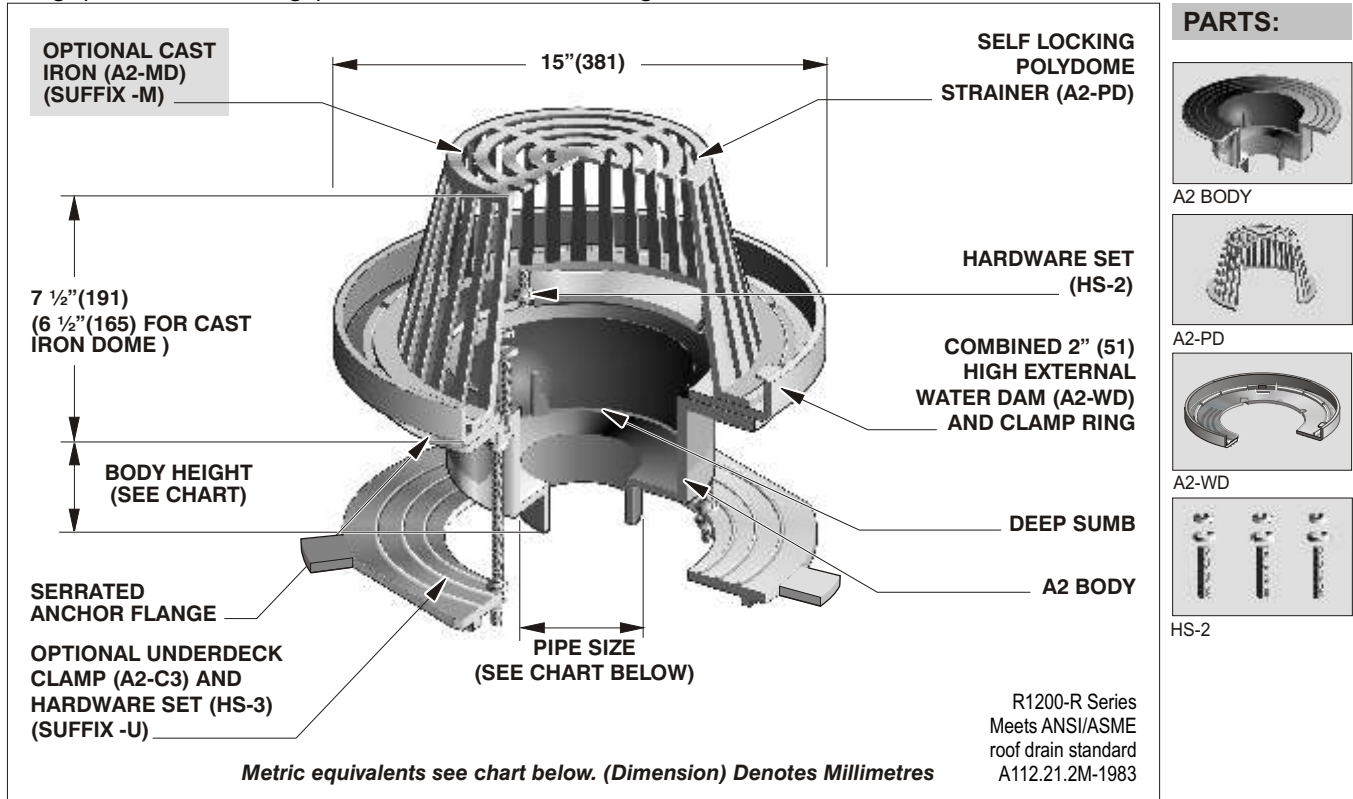


R1200-R

LARGE SUMP ROOF DRAIN WITH EXTERNAL 2" WATER DAM

Specification: MIFAB® Series R1200-R lacquered cast iron deep sump roof drain with 15" diameter anchor flange, 2" high cast iron external combined water dam and waterproofing membrane clamp ring, and standard self-locking polyethylene dome strainer with a free area of 125 square inches.

Function: Used in flat roofs where a constant height of water is required. Also used as an emergency overflow, draining water when the depth of the water on the roof exceeds the water dam height. Large free area dome provides for efficient drainage of rainwater and prevents debris from entering the drain line. Extra wide anchor flange and membrane clamp with tongue in groove design provides for secure grip of membrane and roof flashing materials.



Note: Deck opening - 10" (254) with sump receiver - 15 3/4" (400)

PIPE SIZE	BODY HEIGHT				
	NO HUB (STANDARD)	PUSH ON (P)	THREADED (T)	INSIDE CAULK (X)	PVC/ABS (-30)/(-31)
2" (51)	5 7/16" (138)	6 1/8" (156)	5 7/16" (138)	6 1/4" (159)	7 1/8" (181)
3" (76)	5 7/16" (138)	6 1/8" (156)	5 7/16" (138)	6 1/4" (159)	7 3/8" (187)
4" (102)	5 7/16" (138)	6 1/8" (156)	5 7/16" (138)	6 1/4" (159)	7 3/8" (187)
5" (127)	5 7/16" (138)	-	5 7/16" (138)	6 1/4" (159)	-
6" (152)	5 7/8" (149)	8" (203)	6" (152)	6 1/4" (159)	-
8" (203)	5 7/8" (149)	-	-	5 5/8" (143)	-

OPTIONAL VARIATIONS:

- Sediment bucket -5
- Vandal proof dome -6
- Acid resistant epoxy coating -11
- Galvanized metal dome -12
- All galvanized -13
- Bronze body -27
- Stainless steel body (Type 304) -28
- Stainless steel body (Type 316) -29
- PVC socket connection body -30
- ABS socket connection body -31
- Rough bronze dome -81
- Stainless steel mesh screen over dome -83

SUFFIX

- Threaded side outlet (2", 3", 4") -90
- No Hub side outlet (cast iron only) (2", 3", 4") -90NH (Standard)
- Sump receiver -B
- Q-deck bolt on sump receiver -BDP
- Secondary clamp -C
- Adjustable extension -E
- Stainless steel perforated Ballast guard -G
- Adj. ballast guard with secondary clamp -HC
- S.S. ballast guard with secondary clamp -JC

SUFFIX

- Cast iron dome -M
- Low profile aluminum dome -M-80
- Push on outlet P
- Threaded outlet T
- Underdeck clamp -U
- Underdeck clamp with cutaway side -U3
- Fixed extension, 2", 3", 4" -V
- Water proofing flange -W-1
- Inside caulk outlet X
- Vertical expansion joint (see R1900) -XJ
- Extended wide deck flange -Z

Job Name: _____ Page No: _____
 Section No: _____ Contractor: _____
 Schedule No: _____ Purchase Order No: _____