

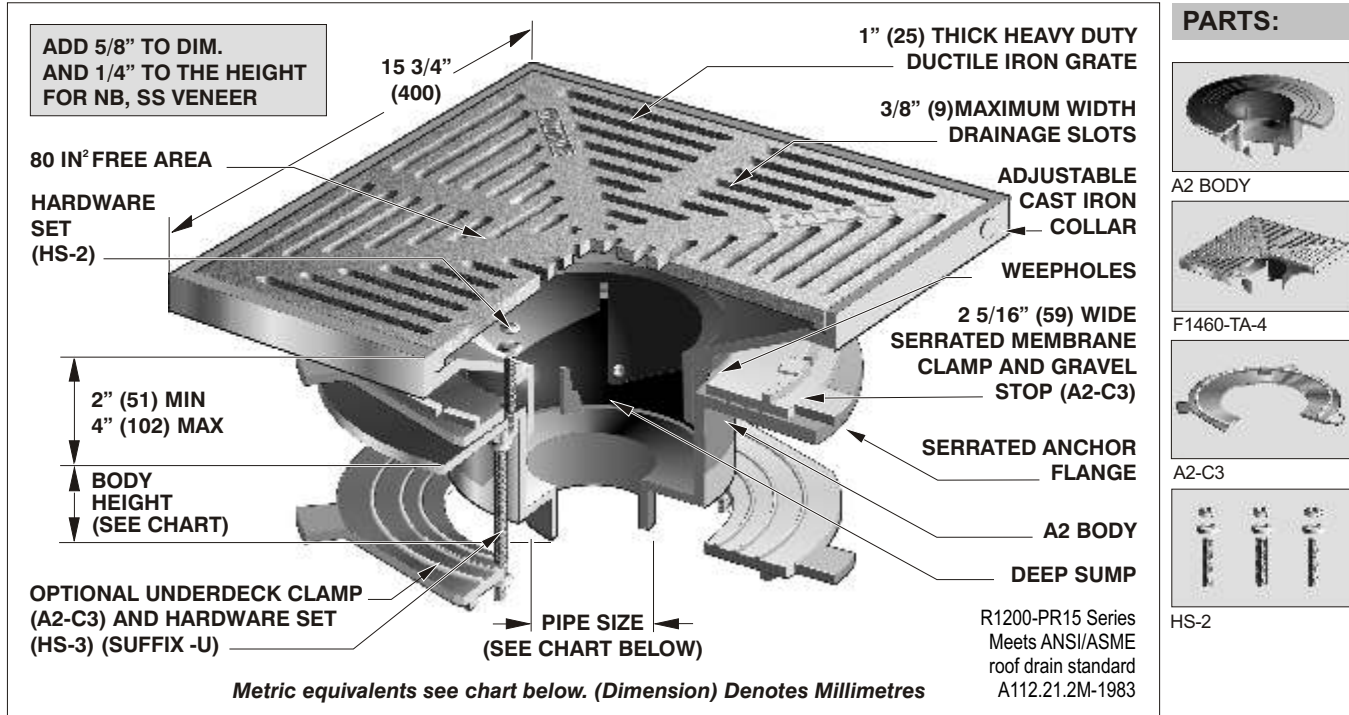


R1200-PR15


LARGE SUMP PROMENADE DECK DRAIN WITH 15" SQUARE TOP

Specification: MIFAB® Series R1200-PR15" lacquered cast iron deep sump roof drain with 15" diameter anchor flange, large cast iron waterproofing membrane clamp ring with integral gravel stop, square adjustable collar and standard 15" (381) square ductile iron tractor grate with 3/8" (9) maximum width drainage slots and a free area of 80 square inches.


Function: Used in flat roofs and decks designed for promenade or recreational areas. Large square top blends in with tile and brick patterns and has enough free area for efficient drainage of rainwater. Narrow, 3/8" (9) drainage slots prevent debris from entering the drain line. Extra wide anchor flange and membrane clamp with tongue in groove design provides for secure grip of membrane and roof flashing materials. Specify MIFAB's double adjustable extension (Suffix -15) to enable one to adjust the extension independent of the top assembly to the required height and position. This unique design permits one to align the square drain with the square tile or a brick pattern.




PARTS:




A2 BODY



F1460-TA-4



A2-C3



HS-2

Note: Deck opening - 10" (254) with sump receiver 15 3/4" (400)

Note: When used in exterior areas and subject to rainfall, ensure that the free area is equal to twice the transverse (cross sectional) area of the connecting pipe.

PIPE SIZE	BODY HEIGHT				
	NO HUB (STANDARD)	PUSH ON (P)	THREADED (T)	INSIDE CAULK (X)	PVC/ABS (-30)/(-31)
2" (51)	5 7/16" (138)	6 1/8" (156)	5 7/16" (138)	6 1/4" (159)	7 1/8" (181)
3" (76)	5 7/16" (138)	6 1/8" (156)	5 7/16" (138)	6 1/4" (159)	7 3/8" (187)
4" (102)	5 7/16" (138)	6 1/8" (156)	5 7/16" (138)	6 1/4" (159)	7 3/8" (187)
5" (127)	5 7/16" (138)	-	5 7/16" (138)	6 1/4" (159)	-
6" (152)	5 7/8" (149)	8" (203)	6" (152)	6 1/4" (159)	-
8" (203)	5 7/8" (149)	-	-	5 5/8" (143)	-

OPTIONAL VARIATIONS:	SUFFIX	SUFFIX	SUFFIX
<input type="checkbox"/> Nickel bronze (vener)	-1	<input type="checkbox"/> PVC socket connection body	-30
<input type="checkbox"/> Stainless steel (vener)	-3	<input type="checkbox"/> ABS socket connection body	-31
<input type="checkbox"/> Ductile iron grate (standard)	-4	<input type="checkbox"/> Threaded side outlet (2", 3", 4")	-90
<input type="checkbox"/> Sediment bucket	-5	<input type="checkbox"/> No Hub side outlet	
<input type="checkbox"/> Vandal proof	-6	<input type="checkbox"/> No Hub side outlet (cast iron only) (2", 3", 4")	-90NH
<input type="checkbox"/> Acid resistant epoxy coating	-11	<input type="checkbox"/> Client logo	-95
<input type="checkbox"/> Galvanized top assembly	-12	<input type="checkbox"/> No hub outlet (Standard)	
<input type="checkbox"/> All galvanized	-13	<input type="checkbox"/> Sump receiver	-B
<input type="checkbox"/> Adjustable extension	-15	<input type="checkbox"/> Q-deck bolt on sump receiver	-BDP
<input type="checkbox"/> Secondary flat stainless steel strainer (2", 3", 4")	-21	<input type="checkbox"/> Adj. ballast guard with secondary clamp	-HC
<input type="checkbox"/> Bronze body	-27	<input type="checkbox"/> S.S. ballast guard with secondary clamp	-JC
<input type="checkbox"/> Stainless steel body (Type 304)	-28	<input type="checkbox"/> Push on outlet	P
<input type="checkbox"/> Stainless steel body (Type 316)	-29	<input type="checkbox"/> 2" external water dam	-R
		<input type="checkbox"/> Threaded outlet	T
		<input type="checkbox"/> Underdeck clamp	-U
		<input type="checkbox"/> Underdeck clamp with cutaway side	-U3
		<input type="checkbox"/> Water proofing flange	-W-1
		<input type="checkbox"/> Inside caulk outlet	X
		<input type="checkbox"/> Vertical expansion joint (see R1900)	-XJ
		<input type="checkbox"/> Extended wide elastometric flange	-Z

Job Name: _____ Page No: _____
 Section No: _____ Contractor: _____
 Schedule No: _____ Purchase Order No: _____

MIFAB reserves the right to make changes in material and design without formal notice and obligation.

USA: 1-800-465-2736 www.mifab.com CAN: 1-800-387-3880