

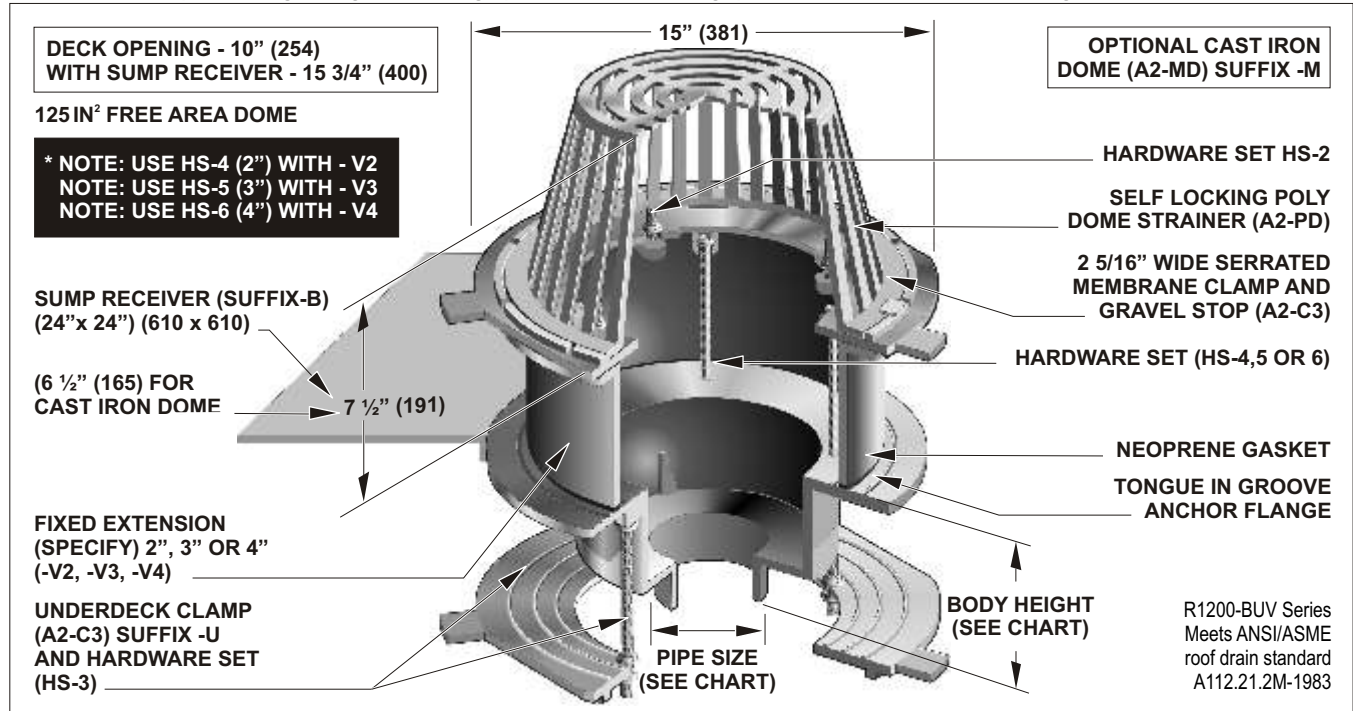


R1200-BUV

LARGE SUMP ROOF DRAIN WITH 2" THROUGH 4" FIXED EXTENSION, SUMP RECEIVER AND DECK CLAMP

Specification: MIFAB® Series R1200-BUV lacquered cast iron deep sump roof drain with 15" diameter anchor flange, sump receiver, gasketed fixed extension (specify height-2", 3" or 4"- V2,-V3 or -V4), underdeck clamp, cast iron waterproofing membrane clamp ring with integral gravel stop, and standard self-locking polyethylene dome strainer with a free area of 125 square inches.

Function: Used in any type of flat roofs. Large free area dome provides for efficient drainage of rain water and prevents debris from entering the drain line. Fixed extension available in various depths to match with insulation. Extra wide anchor flange and membrane clamp with tongue in groove design provides for secure grip of membrane and roof flashing materials.



Metric equivalents see chart below. (Dimension) Denotes Millimetres

PIPE SIZE	BODY HEIGHT				
	NO HUB (STANDARD)	PUSH ON (P)	THREADED (T)	INSIDE CAULK (X)	PVC/ABS (-30)/(-31)
2" (51)	5 7/16" (138)	6 1/8" (156)	5 7/16" (138)	6 1/4" (159)	7 1/8" (181)
3" (76)	5 7/16" (138)	6 1/8" (156)	5 7/16" (138)	6 1/4" (159)	7 3/8" (187)
4" (102)	5 7/16" (138)	6 1/8" (156)	5 7/16" (138)	6 1/4" (159)	7 3/8" (187)
5" (127)	5 7/16" (138)	-	5 7/16" (138)	6 1/4" (159)	-
6" (152)	5 7/8" (149)	8" (203)	6" (152)	6 1/4" (159)	-
8" (203)	5 7/8" (149)	-	-	5 5/8" (143)	-

OPTIONAL VARIATIONS:	SUFFIX	SUFFIX	SUFFIX
<input type="checkbox"/> Sediment bucket	-5	<input type="checkbox"/> Threaded side outlet (2", 3", 4")	-90
<input type="checkbox"/> Vandal proof dome	-6	<input type="checkbox"/> No hub side outlet (2", 3", 4")	-90NH
<input type="checkbox"/> Acid resistant epoxy coating	-11	<input type="checkbox"/> No hub outlet (standard)	(standard)
<input type="checkbox"/> Galvanized metal dome	-12	<input type="checkbox"/> Q-deck bolt on sump receiver	-BDP
<input type="checkbox"/> All galvanized	-13	<input type="checkbox"/> Secondary clamp	-C
<input type="checkbox"/> Flat grate (Replaces dome strainer)	-14	<input type="checkbox"/> Adjustable extension	-E
<input type="checkbox"/> Bronze body	-27	<input type="checkbox"/> Accuflow (parabolic weir) specify	-F1, -F2, -F3
<input type="checkbox"/> Stainless steel body (Type 304)	-28	<input type="checkbox"/> Stainless steel perforated ballast guard	-G
<input type="checkbox"/> Stainless steel body (Type 316)	-29	<input type="checkbox"/> S.S. Ballast guard with secondary clamp	-JC
<input type="checkbox"/> PVC socket connection body	-30	<input type="checkbox"/> Cast iron dome	-M
<input type="checkbox"/> ABS socket connection body	-31	<input type="checkbox"/> Low profile aluminum dome	-M-80
<input type="checkbox"/> Rough bronze dome	-81	<input type="checkbox"/> Push on outlet	P
<input type="checkbox"/> Stainless steel mesh screen over dome	-83	<input type="checkbox"/> 2" external water dam	-R
		<input type="checkbox"/> Threaded outlet	T
		<input type="checkbox"/> Underdeck clamp with cutaway side	-U3
		<input type="checkbox"/> Adjustable water dam (4" dia.)	-W
		<input type="checkbox"/> Water proofing flange	-W-1
		<input type="checkbox"/> 2" internal water dam	-W2
		<input type="checkbox"/> 3" internal water dam	-W3
		<input type="checkbox"/> 4" internal water dam	-W4
		<input type="checkbox"/> 6" diameter adjustable water dam	-W6
		<input type="checkbox"/> Vertical expansion joint (see R1900)	-XJ
		<input type="checkbox"/> Inside caulk outlet	X
		<input type="checkbox"/> Extended wide elastomeric flange	-Z

Job Name: _____ Page No: _____
 Section No: _____ Contractor: _____
 Schedule No: _____ Purchase Order No: _____