



R1150

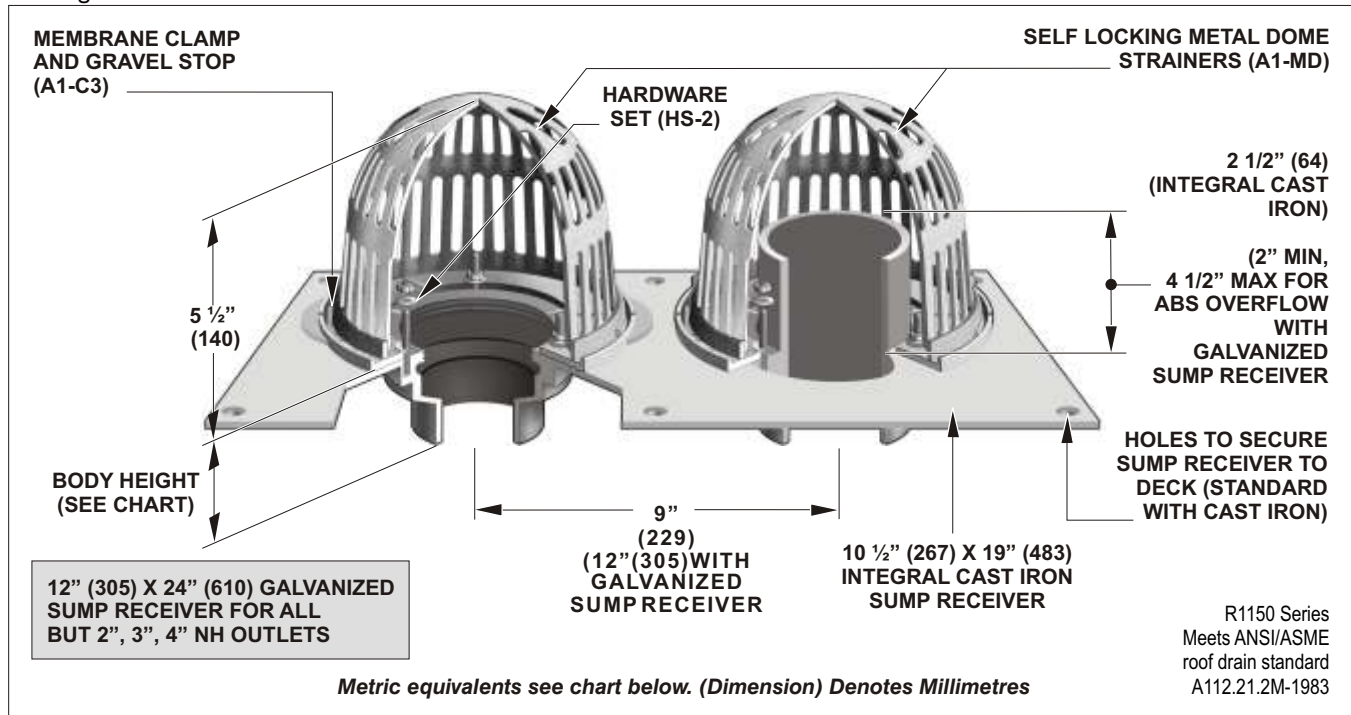
COMBINED ROOF DRAIN AND SECONDARY OVERFLOW SYSTEM

Specification: MIFAB® Series R1150 combined roof drain and secondary overflow system, consisting of a one piece lacquered cast iron drain body with integral sump receiver, cast iron waterproofing membrane clamp rings with integral gravel stops, one 2 1/2" (64) high integral cast iron overflow standpipe and two self-locking metal dome strainers with a free area of 43 square inches each.

Note: The above Specification is only for the 2", 3" and 4" vertical No Hub outlet product.
For all other outlet connection sizes and types, the following Specification applies:

Specification: MIFAB® Series R1150 combined roof drain and secondary overflow system, consisting of a galvanized sump receiver; two lacquered cast iron roof drain bodies with anchor flanges, cast iron waterproofing membrane clamp rings with integral gravel stops, one 4" (102) diameter adjustable ABS overflow standpipe and two self-locking metal dome strainers with a free area of 43 square inches each.

Function: Used in any type of conventional or flat roofs where a safety overflow, which receives water only when the accumulation is greater than the height of the standpipe is required to be located beside a standard roof drain. The standpipe can be adjusted to attain the desired overflow water depth. Dome provides for efficient drainage of rainwater and prevents debris from entering the drain line. Anchor flange and membrane clamp with tongue in groove design provides for secure grip of membrane and roof flashing materials.



PIPE SIZE	BODY HEIGHT				
	NO HUB (STANDARD)	PUSH ON (P)	THREADED (T)	INSIDE CAULK (X)	PVC/ABS (-30)/(-31)
2" (51)	2 1/2" (64)	3 3/8" (86)	2 1/4" (57)	3 3/4" (95)	2 15/16" (75)
3" (76)	2 1/2" (64)	3 3/8" (86)	2 5/8" (67)	3 3/4" (95)	3" (76)
4" (102)	2 1/2" (64)	3 3/8" (86)	2 5/8" (67)	3 3/4" (95)	3" (76)

OPTIONAL VARIATIONS:	SUFFIX	SUFFIX	SUFFIX
<input type="checkbox"/> Vandal proof domes	-6	<input type="checkbox"/> Stainless steel mesh screen over domes	-83
<input type="checkbox"/> Acid resistant epoxy coating	-11	<input type="checkbox"/> Threaded side outlets	-90
<input type="checkbox"/> Galvanized metal domes	-12	<input type="checkbox"/> No hub side outlets	-90NH
<input type="checkbox"/> All galvanized	-13	<input type="checkbox"/> No hub outlets	(standard)
<input type="checkbox"/> Stainless steel bodies (Type 304)	-28	<input type="checkbox"/> Secondary clamps	-C
<input type="checkbox"/> Stainless steel bodies (Type 316)	-29	<input type="checkbox"/> Adjustable extension	-E
<input type="checkbox"/> PVC socket connection bodies	-30	<input type="checkbox"/> Stainless steel perforated ballast guards	-G
<input type="checkbox"/> ABS socket connection bodies	-31	<input type="checkbox"/> Metal domes (standard)	-M
<input type="checkbox"/> Rough bronze domes	-81	<input type="checkbox"/> Push on outlets	P
		<input type="checkbox"/> Threaded outlets	T
		<input type="checkbox"/> Underdeck clamps	-U
		<input type="checkbox"/> Underdeck clamps with cutaway side	-U3
		<input type="checkbox"/> Water proofing flange	-W-1
		<input type="checkbox"/> Inside caulk outlets	X
		<input type="checkbox"/> Vertical expansion joint (see R1900)	-XJ

Job Name: _____ Page No: _____
 Section No: _____ Contractor: _____
 Schedule No: _____ Purchase Order No: _____