

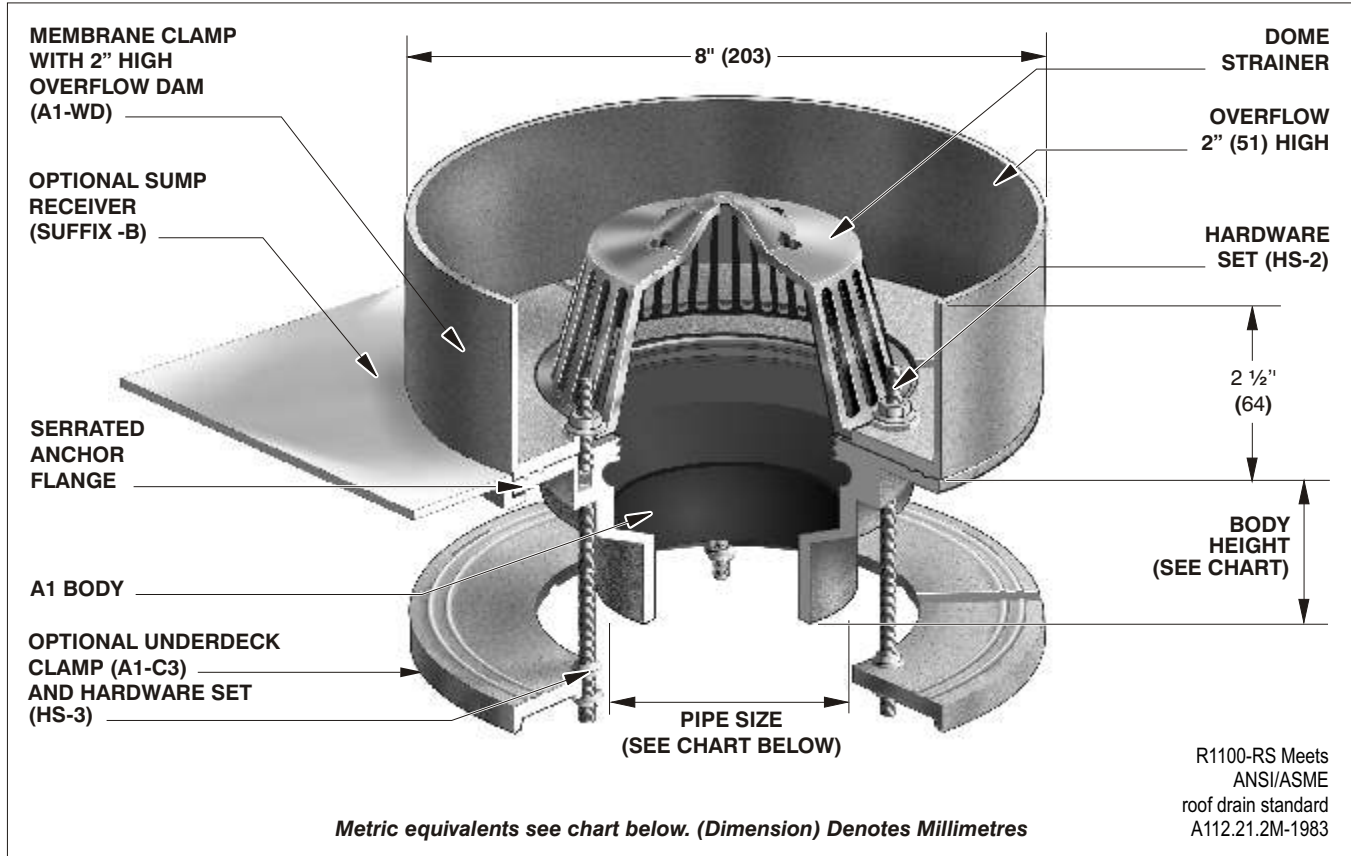


R1100-RS

ROOF DECK CONDENSATE RECEPTOR DRAIN

Specification: MIFAB® Series R1100-RS lacquered cast iron roof deck condensate receptor drain with anchor flange, cast iron waterproofing membrane clamp ring with integral gravel stop, overflow and cast iron dome strainer.

Function: Used in flat roofs and gutters to receive condensate and wastewater from air conditioners, cooling towers and other mechanical equipment. The 2" high external dam prevents storm water from entering the drain line and the dome strainer prevents debris from entering the drain line. The 8" diameter body is ideal for applications with limited space. Anchor flange and membrane clamp with tongue in groove design provides for secure grip of membrane and roof flashing materials.



R1100-RS Meets
ANSI/ASME
roof drain standard
A112.21.2M-1983

Note: Deck opening - 6 3/8" (162) with sump receiver - 8 1/2" (216)

PIPE SIZE	BODY HEIGHT				
	NO HUB (STANDARD)	PUSH ON (P)	THREADED (T)	INSIDE CAULK (X)	PVC/ABS (-30)/(-31)
2" (51)	2 3/4" (70)	3 3/8" (86)	2 1/4" (57)	3 3/4" (95)	2 15/16" (75)
3" (76)	2 3/4" (70)	3 3/8" (86)	2 5/8" (67)	3 3/4" (95)	3" (76)
4" (102)	2 3/4" (70)	3 3/8" (86)	2 5/8" (67)	3 3/4" (95)	3" (76)
5" (127)	2 3/4" (70)	—	2 5/8" (67)	3 3/4" (95)	—
6" (152)	3 1/4" (83)	4 3/4" (121)	—	—	—

OPTIONAL VARIATIONS:	SUFFIX	SUFFIX	SUFFIX
<input type="checkbox"/> Vandal proof dome	-6	<input type="checkbox"/> PVC socket connection body	-30
<input type="checkbox"/> Acid resistant epoxy coating	-11	<input type="checkbox"/> ABS socket connection body	-31
<input type="checkbox"/> Galvanized metal dome	-12	<input type="checkbox"/> Rough bronze dome	-81
<input type="checkbox"/> All galvanized	-13	<input type="checkbox"/> Stainless steel mesh screen over dome	-83
<input type="checkbox"/> Flat grate (replaces dome strainer)	-14	<input type="checkbox"/> Threaded side outlet (cast iron 2",3",4")	-90
<input type="checkbox"/> Adjustable extension	-15	<input type="checkbox"/> No Hub side outlet (cast iron only) (2",3",4")	-90NH
<input type="checkbox"/> Bronze body	-27	<input type="checkbox"/> No hub outlet (Standard)	(Standard)
<input type="checkbox"/> Stainless steel body (Type 304)	-28	<input type="checkbox"/> Sump receiver	-B
<input type="checkbox"/> Stainless steel body (Type 316)	-29	<input type="checkbox"/> Push on outlet	P
		<input type="checkbox"/> 2" external water dam	-R
		<input type="checkbox"/> Threaded outlet	T
		<input type="checkbox"/> Underdeck clamp	-U
		<input type="checkbox"/> Underdeck clamp with cutaway side	-U3
		<input type="checkbox"/> Water proofing flange	-W-1
		<input type="checkbox"/> Inside caulk outlet	X
		<input type="checkbox"/> Vertical expansion joint (see R1900)	-XJ
		<input type="checkbox"/> Extended wide elastomeric flange	-Z

Job Name: _____	Page No: _____
Section No: _____	Contractor: _____
Schedule No: _____	Purchase Order No: _____

MIFAB reserves the right to make changes in material and design without formal notice and obligation.

USA: 1-800-465-2736 www.mifab.com CAN: 1-800-387-3880