



MI-HUB

**SHIELDED
NO HUB COUPLINGS**

Specification: MIFAB® Series MI-HUB (specify size) shielded no hub couplings are manufactured with gaskets made from an elastomeric compound that meets the requirements of ASTM C-564 housed inside a Type 301 stainless steel corrugated shield. Two (2" through 4" size), four (5" through 10" size) or six (12" size) Type 301 stainless steel clamps tightened with 5/16" Type 305 stainless steel hex head screws surround the shield to provide the sealing force. MI-HUB Series Couplings are tested and certified to the ASTM-C1277-03 Standard and are listed with IAPMO.

Function: Used to provide a positive and significant seal between no hub cast iron pipe and fittings.

Material Specifications:

Bands - Type 301 AISI stainless steel (Minimum tensile 165,000 psi).

Eyelets - Type 301 AISI stainless steel.

Gasket - Elastomeric compound meeting the requirements of ASTM C-564.

Screw Housing - Type 304 AISI stainless steel.

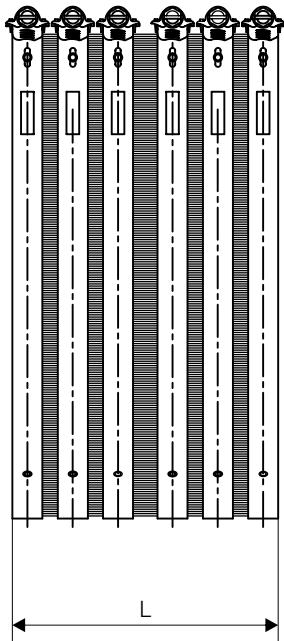
Screws - Type 305 AISI stainless steel, 5/16" Hex head / Shoulder.

Shield - Type 301 AISI stainless steel, .18mm thick.

Performance Specifications:

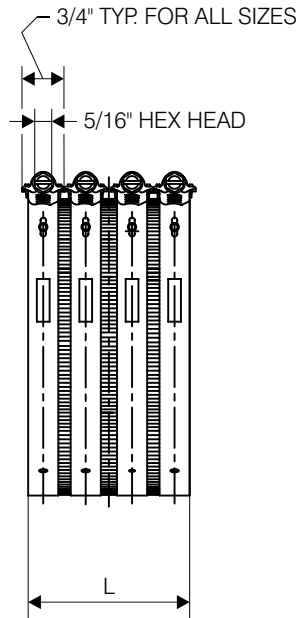
- Tested to maintain 4.3 psi of water pressure (typical 10' head)
- Requires a 5/16" hex head driver to tighten screw heads to a minimum of 60 pounds

MODEL NUMBER	PIPE SIZE (NOMINAL DIA.)	(L) LENGTH (COUPLING)	INSTALLATION TORQUE (IN. - LBS)	NUMBER OF CLAMPS PER COUPLING	BAND WIDTH (CLAMP)
MI-HUB-2	2"	2 1/8"	60	2	9/16"
MI-HUB-3	3"	2 1/8"	60	2	9/16"
MI-HUB-4	4"	2 1/8"	60	2	9/16"
MI-HUB-5	5"	3"	60	4	9/16"
MI-HUB-6	6"	3"	60	4	9/16"
MI-HUB-8	8"	4"	60	4	9/16"
MI-HUB-10	10"	4"	60	4	9/16"
MI-HUB-12	12"	5.43"	60	6	9/16"



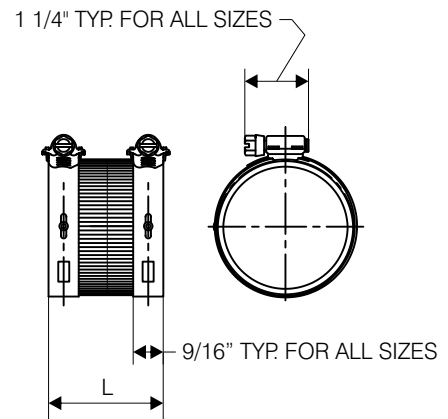
12" Size

Tighten inside bands first, then outside bands.



Sizes 5" through 10"

Tighten inside bands first, then outside bands.



Sizes 2" through 4"

Tighten bands alternately to recommended torque.

Job Name: _____	Page No: _____
Section No: _____	Contractor: _____
Schedule No: _____	Purchase Order No: _____

MIFAB reserves the right to make changes in material and design without formal notice and obligation.

USA: 1-800-465-2736 www.mifab.com CAN: 1-800-387-3880